

A  
B  
C

# SECTION **WW**

## WIPER & WASHER

### CONTENTS

<p><b>BASIC INSPECTION</b> ..... 3</p> <p><b>DIAGNOSIS AND REPAIR WORKFLOW</b> ..... 3</p> <p style="padding-left: 20px;">Work Flow .....3</p> <p><b>SYSTEM DESCRIPTION</b> ..... 5</p> <p><b>FRONT WIPER AND WASHER SYSTEM</b> ..... 5</p> <p><b>WITH RAIN SENSOR</b> .....5</p> <p style="padding-left: 20px;">WITH RAIN SENSOR : System Diagram .....5</p> <p style="padding-left: 20px;">WITH RAIN SENSOR : System Description .....5</p> <p style="padding-left: 20px;">WITH RAIN SENSOR : Component Parts Location .....8</p> <p style="padding-left: 20px;">WITH RAIN SENSOR : Component Description.....8</p> <p><b>WITHOUT RAIN SENSOR</b> .....9</p> <p style="padding-left: 20px;">WITHOUT RAIN SENSOR : System Diagram .....9</p> <p style="padding-left: 20px;">WITHOUT RAIN SENSOR : System Description.....9</p> <p style="padding-left: 20px;">WITHOUT RAIN SENSOR : Component Parts Location ..... 12</p> <p style="padding-left: 20px;">WITHOUT RAIN SENSOR : Component Description ..... 12</p> <p><b>DIAGNOSIS SYSTEM (BCM)</b> .....14</p> <p><b>COMMON ITEM</b> .....14</p> <p style="padding-left: 20px;">COMMON ITEM : CONSULT-III Function (BCM - COMMON ITEM) ..... 14</p> <p><b>WIPER</b> .....15</p> <p style="padding-left: 20px;">WIPER : CONSULT-III Function (BCM - WIPER)... 15</p> <p><b>DIAGNOSIS SYSTEM (IPDM E/R)</b> .....17</p> <p style="padding-left: 20px;">Diagnosis Description ..... 17</p> <p style="padding-left: 20px;">CONSULT-III Function (IPDM E/R) ..... 19</p> <p><b>DTC/CIRCUIT DIAGNOSIS</b> .....22</p> <p><b>WIPER AND WASHER FUSE</b> .....22</p> <p style="padding-left: 20px;">Description .....22</p> <p style="padding-left: 20px;">Diagnosis Procedure .....22</p>	<p><b>POWER SUPPLY AND GROUND CIRCUIT</b> ....23</p> <p><b>BCM (BODY CONTROL MODULE)</b> .....23</p> <p style="padding-left: 20px;">BCM (BODY CONTROL MODULE) : Diagnosis Procedure .....23</p> <p><b>IPDM E/R (INTELLIGENT POWER DISTRIBUTION MODULE ENGINE ROOM)</b> .....23</p> <p style="padding-left: 20px;">IPDM E/R (INTELLIGENT POWER DISTRIBUTION MODULE ENGINE ROOM) : Diagnosis Procedure .....23</p> <p><b>FRONT WIPER MOTOR LO CIRCUIT</b> .....25</p> <p style="padding-left: 20px;">Component Function Check .....25</p> <p style="padding-left: 20px;">Diagnosis Procedure .....25</p> <p><b>FRONT WIPER MOTOR HI CIRCUIT</b> .....27</p> <p style="padding-left: 20px;">Component Function Check .....27</p> <p style="padding-left: 20px;">Diagnosis Procedure .....27</p> <p><b>FRONT WIPER AUTO STOP SIGNAL CIRCUIT</b> .....29</p> <p style="padding-left: 20px;">Component Function Check .....29</p> <p style="padding-left: 20px;">Diagnosis Procedure .....29</p> <p><b>FRONT WIPER MOTOR GROUND CIRCUIT</b> ...31</p> <p style="padding-left: 20px;">Diagnosis Procedure .....31</p> <p><b>RAIN SENSOR</b> .....32</p> <p style="padding-left: 20px;">Description .....32</p> <p style="padding-left: 20px;">Component Function Check .....32</p> <p style="padding-left: 20px;">Diagnosis Procedure .....32</p> <p><b>WASHER SWITCH</b> .....34</p> <p style="padding-left: 20px;">Description .....34</p> <p style="padding-left: 20px;">Component Inspection .....34</p> <p><b>FRONT WIPER AND WASHER SYSTEM</b> .....35</p> <p style="padding-left: 20px;">Wiring Diagram - FRONT WIPER AND WASHER SYSTEM - .....35</p> <p><b>ECU DIAGNOSIS INFORMATION</b> .....41</p>
--	---

A  
B  
C  
D  
E  
F  
G  
H  
I  
J  
K  
WW  
M  
N  
O  
P



<b>BCM (BODY CONTROL MODULE)</b> .....	<b>41</b>	<b>REMOVAL AND INSTALLATION</b> .....	<b>96</b>
Reference Value .....	41	<b>WASHER TANK</b> .....	<b>96</b>
Wiring Diagram - BCM - .....	64	Exploded View .....	96
Fail-safe .....	69	Removal and Installation .....	96
DTC Inspection Priority Chart .....	71	<b>FRONT WASHER PUMP</b> .....	<b>97</b>
DTC Index .....	72	Exploded View .....	97
<b>IPDM E/R (INTELLIGENT POWER DISTRI- BUTION MODULE ENGINE ROOM)</b> .....	<b>75</b>	Removal and Installation .....	97
Reference Value .....	75	<b>WASHER LEVEL SWITCH</b> .....	<b>98</b>
Wiring Diagram - IPDM E/R - .....	82	Removal and Installation .....	98
Fail-safe .....	85	<b>FRONT WASHER NOZZLE AND TUBE</b> .....	<b>99</b>
DTC Index .....	87	Hydraulic Layout .....	99
<b>SYMPTOM DIAGNOSIS</b> .....	<b>88</b>	Removal and Installation .....	99
<b>FRONT WIPER AND WASHER SYSTEM</b>		Inspection and Adjustment .....	99
<b>SYMPTOMS</b> .....	<b>88</b>	<b>FRONT WIPER ARM</b> .....	<b>102</b>
<b>WITHOUT RAIN SENSOR</b> .....	<b>88</b>	Exploded View .....	102
WITHOUT RAIN SENSOR : Symptom Table .....	88	Removal and Installation .....	102
<b>WITH RAIN SENSOR</b> .....	<b>89</b>	Adjustment .....	102
WITH RAIN SENSOR : Symptom Table .....	89	<b>WIPER BLADE</b> .....	<b>104</b>
<b>FRONT WIPER DOES NOT OPERATE</b> .....	<b>92</b>	Exploded View .....	104
Description .....	92	Removal and Installation .....	104
Diagnosis Procedure .....	92	Replacement .....	104
<b>NORMAL OPERATING CONDITION</b> .....	<b>94</b>	<b>FRONT WIPER DRIVE ASSEMBLY</b> .....	<b>106</b>
Description .....	94	Exploded View .....	106
<b>PRECAUTION</b> .....	<b>95</b>	Removal and Installation .....	106
<b>PRECAUTIONS</b> .....	<b>95</b>	Disassembly and Assembly .....	107
Precaution for Supplemental Restraint System (SRS) "AIR BAG" and "SEAT BELT PRE-TEN- SIONER" .....	95	<b>RAIN SENSOR</b> .....	<b>108</b>
Precaution for Battery Service .....	95	Exploded View .....	108
		Removal and Installation .....	108
		<b>FRONT WIPER AND WASHER SWITCH</b> .....	<b>109</b>
		Exploded View .....	109

# DIAGNOSIS AND REPAIR WORKFLOW

< BASIC INSPECTION >

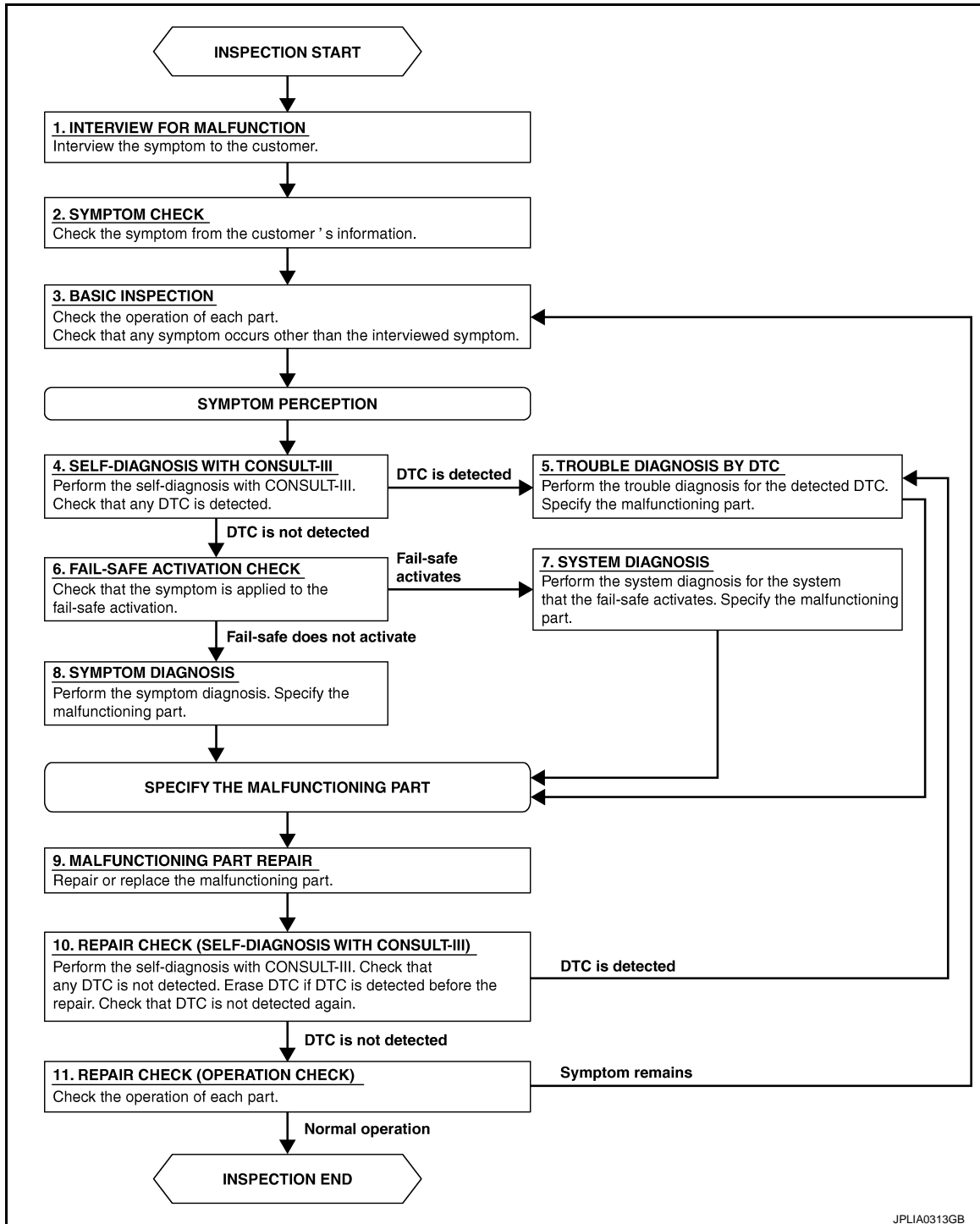
## BASIC INSPECTION

### DIAGNOSIS AND REPAIR WORKFLOW

Work Flow

INFOID:000000006472288

#### OVERALL SEQUENCE



#### DETAILED FLOW

##### 1. INTERVIEW FOR MALFUNCTION

Interview the symptom to the customer.

# DIAGNOSIS AND REPAIR WORKFLOW

< BASIC INSPECTION >

---

>> GO TO 2.

## 2. SYMPTOM CHECK

---

Check the symptom from the customer's information.

>> GO TO 3.

## 3. BASIC INSPECTION

---

Check the operation of each part. Check that any symptom occurs other than the interviewed symptom.

>> GO TO 4.

## 4. SELF-DIAGNOSIS WITH CONSULT-III

---

Perform the self-diagnosis with CONSULT-III. Check that any DTC is detected.

Is any DTC detected?

YES >> GO TO 5.

NO >> GO TO 6.

## 5. TROUBLE DIAGNOSIS BY DTC

---

Perform the trouble diagnosis for the detected DTC. Specify the malfunctioning part.

>> GO TO 9.

## 6. FAIL-SAFE ACTIVATION CHECK

---

Check that the symptom is applied to the fail-safe activation.

Does the fail-safe activate?

YES >> GO TO 7.

NO >> GO TO 8.

## 7. SYSTEM DIAGNOSIS

---

Perform the system diagnosis for the system that the fail-safe activates. Specify the malfunctioning part.

>> GO TO 9.

## 8. SYMPTOM DIAGNOSIS

---

Perform the symptom diagnosis. Specify the malfunctioning part.

>> GO TO 9.

## 9. MALFUNCTION PART REPAIR

---

Repair or replace the malfunctioning part.

>> GO TO 10.

## 10. REPAIR CHECK (SELF-DIAGNOSIS WITH CONSULT-III)

---

Perform the self-diagnosis with CONSULT-III. Check that any DTC is not detected. Erase DTC if DTC is detected before the repair. Check that DTC is not detected again.

Is any DTC detected?

YES >> GO TO 5.

NO >> GO TO 11.

## 11. REPAIR CHECK (OPERATION CHECK)

---

Check the operation of each part.

Does it operate normally?

YES >> INSPECTION END

NO >> GO TO 3.

# FRONT WIPER AND WASHER SYSTEM

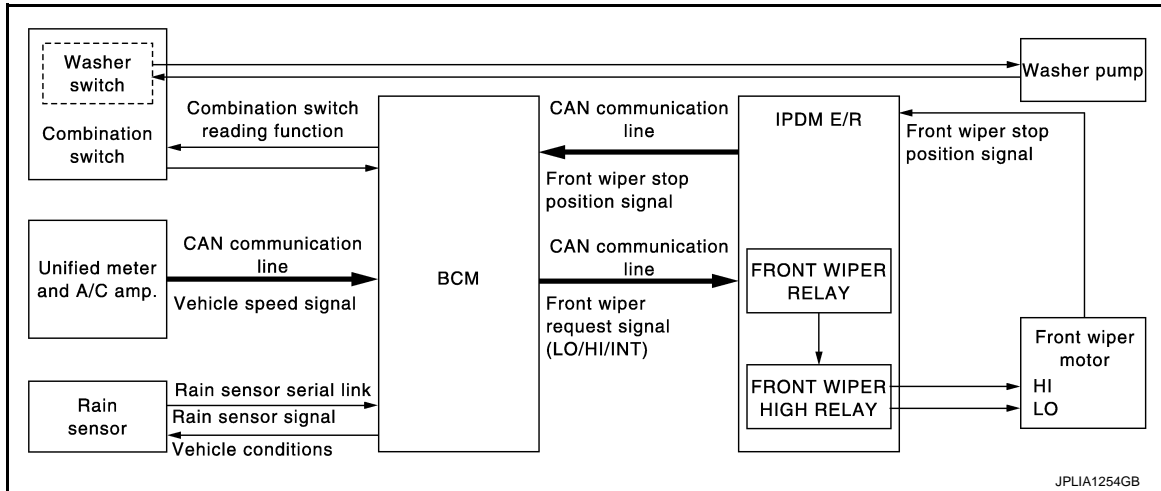
< SYSTEM DESCRIPTION >

## SYSTEM DESCRIPTION

### FRONT WIPER AND WASHER SYSTEM WITH RAIN SENSOR

#### WITH RAIN SENSOR : System Diagram

INFOID:000000006472289



#### WITH RAIN SENSOR : System Description

INFOID:000000006472290

##### OUTLINE

The front wiper is controlled by each function of BCM and IPDM E/R.

Control by BCM

- Combination switch reading function
- Front wiper control function

Control by IPDM E/R

- Front wiper control function
- Relay control function

Combination meter indicates low washer fluid warning judged with the signal from the washer level switch. For details of low washer fluid warning, refer to [MWI-24, "WARNING LAMPS/INDICATOR LAMPS : System Description"](#).

##### FRONT WIPER BASIC OPERATION

- BCM detects the combination switch condition by the combination switch reading function.
- BCM transmits the front wiper request signal to IPDM E/R with CAN communication depending on each operating condition of the front wiper.
- IPDM E/R turns ON/OFF the integrated front wiper relay and the front wiper high relay according to the front wiper request signal. IPDM E/R provides the power supply to operate the front wiper HI/LO operation.

##### FRONT WIPER LO OPERATION

- BCM transmits the front wiper request signal (LO) to IPDM E/R with CAN communication according to the front wiper LO operating condition.

Front wiper LO operating condition

- Ignition switch ON
- Front wiper switch LO or front wiper switch MIST (while pressing)
- IPDM E/R turns ON the integrated front wiper relay according to the front wiper request signal (LO).

##### FRONT WIPER HI OPERATION

- BCM transmits the front wiper request signal (HI) to IPDM E/R with CAN communication according to the front wiper HI operating condition.

Front wiper HI operating condition

- Ignition switch ON
- Front wiper switch HI

A  
B  
C  
D  
E  
F  
G  
H  
I  
J  
K  
WW  
M  
N  
O  
P

# FRONT WIPER AND WASHER SYSTEM

## < SYSTEM DESCRIPTION >

- IPDM E/R turns ON the integrated front wiper relay and the front wiper high relay according to the front wiper request signal (HI).

## FRONT WIPER AUTO OPERATION

### Rain Sensing

Rain level and sensor conditions are detected by rain sensor.

- BCM transmits the vehicle conditions (vehicle speed, front wiper condition, rain sensor sensitivity setting, etc.) to the rain sensor via the rain sensor serial link.
- Rain sensor judges a wiping speed for front wiper by rain condition and the vehicle conditions. And it transmits the wiping speed request signal to the BCM via the rain sensor serial link.

### Auto Wiping Operation

- BCM receives the wiping speed request signal from the rain sensor via the rain sensor serial link.
- BCM controls front wiper operation according to the wiping speed request signals. And it transmits the front wiper request signals (LO or HI) to the IPDM E/R via CAN communication line.

Front wiper AUTO operating condition

- Ignition switch ON
- Front wiper switch AUTO

### NOTE:

When the front wiper switch is turned to AUTO position, front wiper operates once regardless of a rainy condition.

### Rain Sensor Sensitivity Setting

BCM determines rain sensor sensitivity according to a wiper volume.

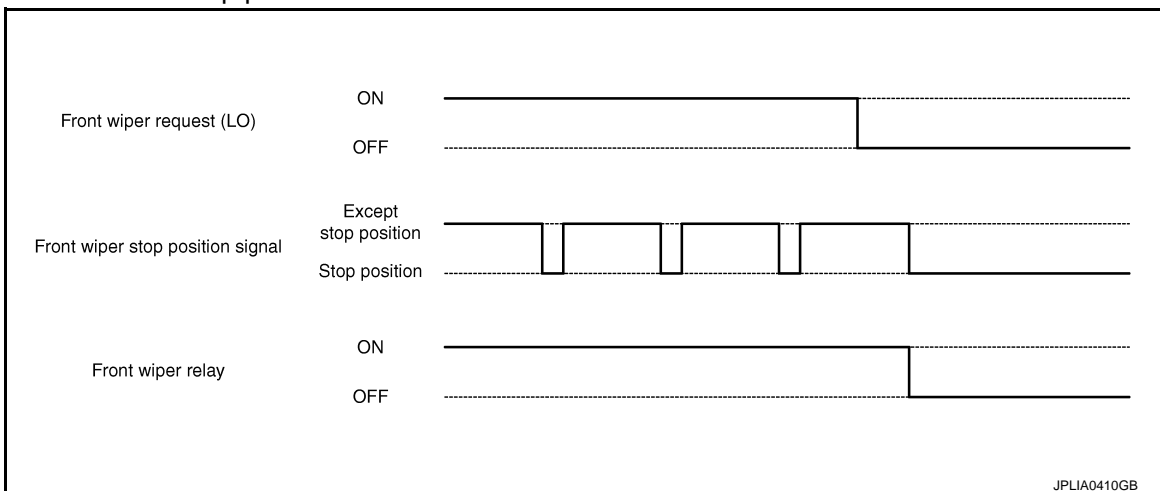
Wiper volume dial position	Sensitivity
1	High sensitivity
2	
3	Medium – high sensitivity
4	
5	Low – medium sensitivity
6	
7	Low sensitivity

### NOTE:

When the wiper volume is turned up at 1 level with front wiper AUTO operating condition, front wiper operates once.

## FRONT WIPER AUTO STOP OPERATION

- BCM stops transmitting the front wiper request signal when the front wiper switch is turned OFF.
- IPDM E/R detects the front wiper stop position signal from the front wiper motor and detects the front wiper motor position (stop position/except stop position).
- When the front wiper request signal is stopped, IPDM E/R turns ON the front wiper relay until the front wiper motor returns to the stop position.



# FRONT WIPER AND WASHER SYSTEM

## < SYSTEM DESCRIPTION >

---

### NOTE:

- BCM stops the transmitting of the front wiper request signal when the ignition switch is OFF. A
- IPDM E/R turns the front wiper relay OFF when the ignition switch is OFF.

### FRONT WIPER OPERATION LINKED WITH WASHER

- BCM transmits the front wiper request signal (LO) to IPDM E/R with CAN communication according to the washer linked operating condition of the front wiper. B
- BCM transmits the front wiper request signal (LO) so that the front wiper operates approximately 2 times when the front washer switch OFF is detected. C

Washer linked operating condition of front wiper

- Ignition switch ON
- Front washer switch ON (0.4 second or more) D
- IPDM E/R turns ON the integrated front wiper relay according to the front wiper request signal (LO).
- The washer pump is grounded through the combination switch with the front washer switch ON.

### FAIL-SAFE FUNCTION

 E

Front Wiper control

IPDM E/R performs the fail-safe function when the front wiper auto stop circuit is malfunctioning. Refer to [PCS-29, "Fail-safe"](#). F

Rain Sensor Malfunction

- BCM judges the rain sensor serial link error by the rain sensor serial link condition and detects the rain sensor malfunction by rain sensor malfunction signal. G
- When BCM detects the rain sensor serial link error or the rain sensor malfunction while front wiper AUTO operation, BCM operates a fail-safe control.

### NOTE:

 H

If rain sensor malfunction is detected when ignition switch is turned OFF ⇒ ON and front wiper switch is INT position, BCM operates front wiper LO. I

A  
B  
C  
D  
E  
F  
G  
H  
I  
J  
K

WW

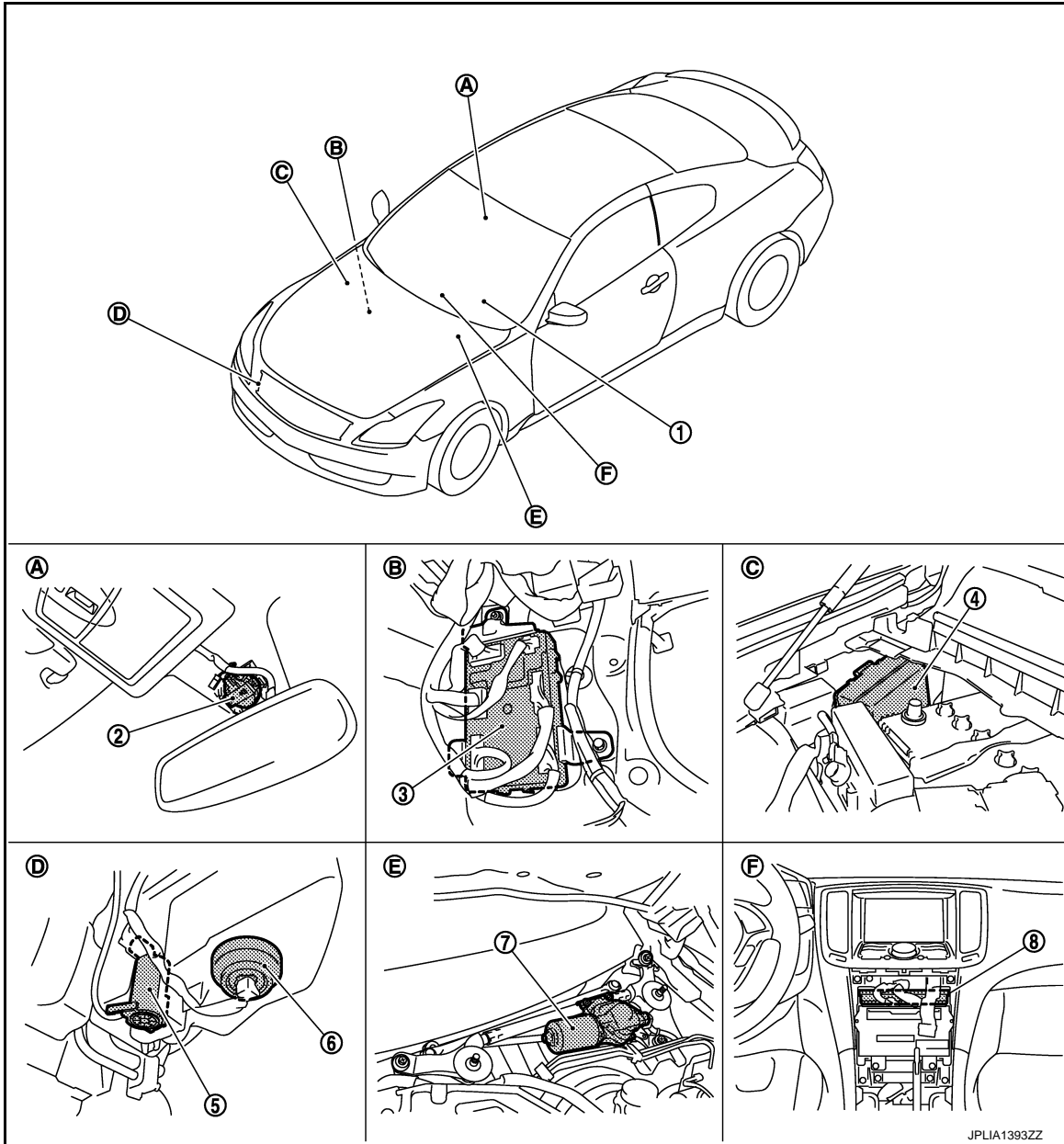
M  
N  
O  
P

# FRONT WIPER AND WASHER SYSTEM

< SYSTEM DESCRIPTION >

## WITH RAIN SENSOR : Component Parts Location

INFOID:000000006472291



- |                               |                                       |                                |
|-------------------------------|---------------------------------------|--------------------------------|
| 1. Combination switch         | 2. Rain sensor                        | 3. BCM                         |
| 4. IPDM E/R                   | 5. Washer pump                        | 6. Washer level switch         |
| 7. Front wiper motor          | 8. Unified meter and A/C amp.         |                                |
| A. Wind shield upper          | B. Dash side lower (Passenger side)   | C. Engine room dash panel (RH) |
| D. Radiator core support (RH) | E. Cowl top, left side of engine room | F. Behind cluster lid C        |

## WITH RAIN SENSOR : Component Description

INFOID:000000006472292

Part	Description
BCM	<ul style="list-style-type: none"> <li>Judges each switch status by the combination switch reading function.</li> <li>Requests (with CAN communication) the front wiper relay and the front wiper high relay ON to IPDM E/R.</li> </ul>
IPDM E/R	<ul style="list-style-type: none"> <li>Controls the integrated relay according to the request (with CAN communication) from BCM.</li> <li>Performs the auto stop control of the front wiper.</li> </ul>



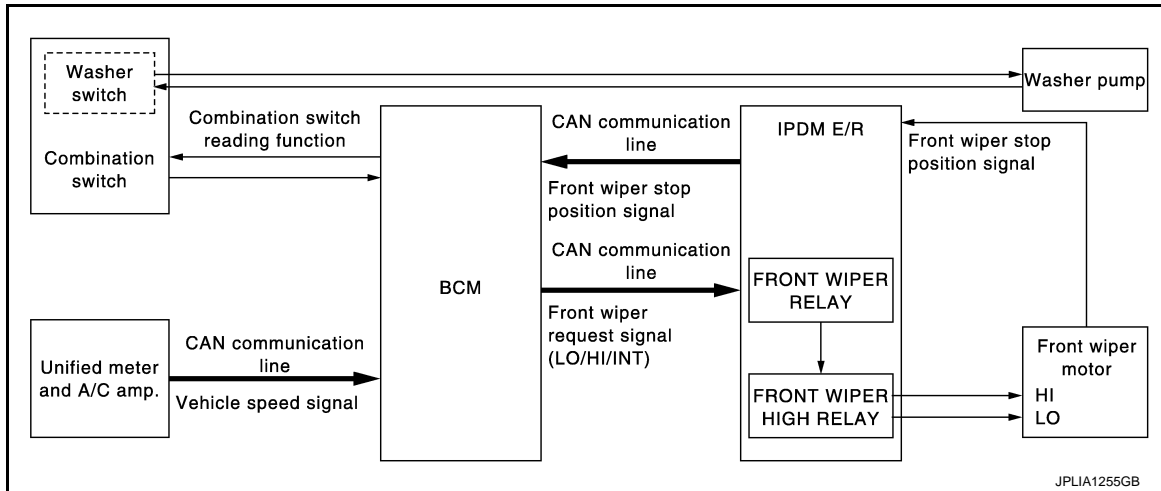
# FRONT WIPER AND WASHER SYSTEM

## < SYSTEM DESCRIPTION >

Part	Description
Combination switch (Wiper & washer switch)	Refer to <a href="#">BCS-7, "System Description"</a> .
Unified meter and A/C amp.	Transmits the vehicle speed signal to BCM with CAN communication.
Rain sensor	Detects water droplets on the windshield with infrared rays, and transmits the rain sensor signal to BCM through the rain sensor serial link.

## WITHOUT RAIN SENSOR

### WITHOUT RAIN SENSOR : System Diagram



### WITHOUT RAIN SENSOR : System Description

INFOID:000000006472294

#### OUTLINE

The front wiper is controlled by each function of BCM and IPDM E/R.

##### Control by BCM

- Combination switch reading function
- Front wiper control function

##### Control by IPDM E/R

- Front wiper control function
- Relay control function

Combination meter indicates low washer fluid warning judged with the signal from the washer level switch. For details of low washer fluid warning, refer to [MWI-24, "WARNING LAMPS/INDICATOR LAMPS : System Description"](#).

#### FRONT WIPER BASIC OPERATION

- BCM detects the combination switch condition by the combination switch reading function.
- BCM transmits the front wiper request signal to IPDM E/R with CAN communication depending on each operating condition of the front wiper.
- IPDM E/R turns ON/OFF the integrated front wiper relay and the front wiper high relay according to the front wiper request signal. IPDM E/R provides the power supply to operate the front wiper HI/LO operation.

#### FRONT WIPER LO OPERATION

- BCM transmits the front wiper request signal (LO) to IPDM E/R with CAN communication according to the front wiper LO operating condition.

##### Front wiper LO operating condition

- Ignition switch ON
- Front wiper switch LO or front wiper switch MIST (while pressing)
- IPDM E/R turns ON the integrated front wiper relay according to the front wiper request signal (LO).

#### FRONT WIPER HI OPERATION

# FRONT WIPER AND WASHER SYSTEM

## < SYSTEM DESCRIPTION >

- BCM transmits the front wiper request signal (HI) to IPDM E/R with CAN communication according to the front wiper HI operating condition.

Front wiper HI operating condition

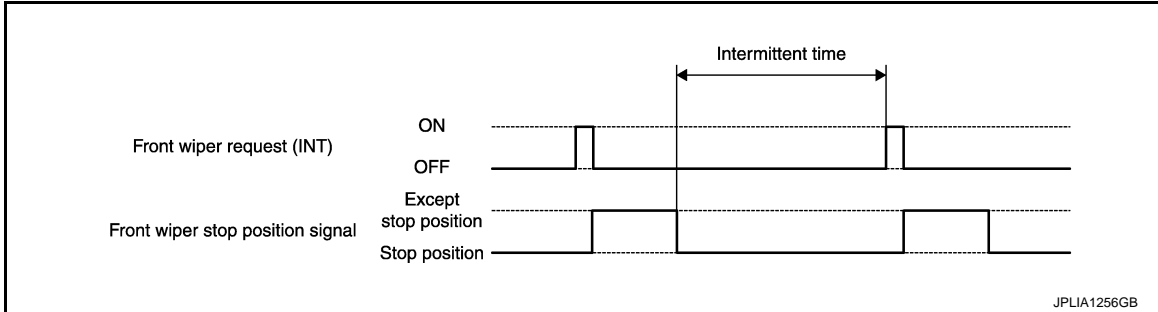
- Ignition switch ON
- Front wiper switch HI
- IPDM E/R turns ON the integrated front wiper relay and the front wiper high relay according to the front wiper request signal (HI).

## FRONT WIPER INT OPERATION

- BCM transmits the front wiper request signal (INT) to IPDM E/R with CAN communication depending on the front wiper INT operating condition and intermittent operation delay interval according to the wiper intermittent dial position.

Front wiper INT operating condition

- Ignition switch ON
- Front wiper switch INT
- IPDM E/R turns ON the integrated front wiper relay so that the front wiper is operated only once according to the front wiper request signal (INT).
- BCM detects stop position/except stop position of the front wiper motor according to the front wiper stop position signal received from IPDM E/R with CAN communication.
- BCM transmits the front wiper request signal (INT) again after the intermittent operation delay interval.



### NOTE:

Factory setting of the front wiper intermittent operation is the operation without vehicle speed. Front wiper intermittent operation can be set to the operation with vehicle speed by CONSULT-III. Refer to [WW-15, "WIPER : CONSULT-III Function \(BCM - WIPER\)"](#).

Front wiper intermittent operation with vehicle speed

- BCM calculates the intermittent operation delay interval from the following
  - Vehicle speed signal (received from the unified meter and A/C amp. with CAN communication)
  - Wiper intermittent dial position

Unit: Second

Wiper intermittent dial position	Intermittent operation interval	Intermittent operation delay Interval			
		Vehicle speed			
		0 – 5 km/h (0 – 3.1 MPH)	5 – 35 km/h (3.1 – 21.7 MPH)	35 – 65 km/h (21.7 – 40.4 MPH)*	65 km/h (40.4 MPH) or more
1	Short ↑	0.8	0.6	0.4	0.24
2		4	3	2	1.2
3		10	7.5	5	3
4		16	12	8	4.8
5		24	18	12	7.2
6	Long ↓	32	24	16	9.6
7		42	31.5	21	12.6

\*: When without vehicle speed setting

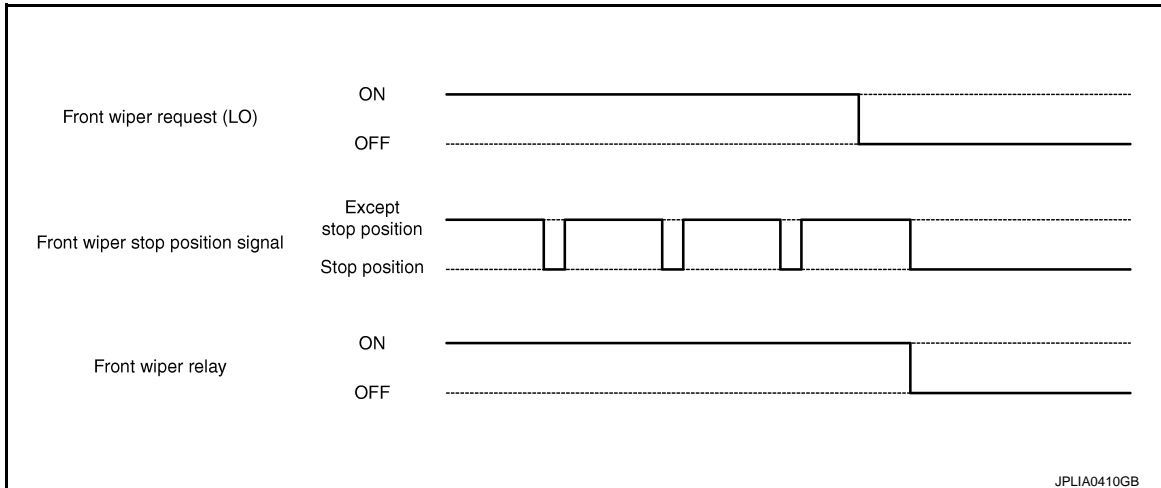
## FRONT WIPER AUTO STOP OPERATION

- BCM stops transmitting the front wiper request signal when the front wiper switch is turned OFF.
- IPDM E/R detects the front wiper stop position signal from the front wiper motor and detects the front wiper motor position (stop position/except stop position).

# FRONT WIPER AND WASHER SYSTEM

## < SYSTEM DESCRIPTION >

- When the front wiper request signal is stopped, IPDM E/R turns ON the front wiper relay until the front wiper motor returns to the stop position.



### NOTE:

- BCM stops the transmitting of the front wiper request signal when the ignition switch is OFF.
- IPDM E/R turns the front wiper relay OFF when the ignition switch is OFF.

### FRONT WIPER OPERATION LINKED WITH WASHER

- BCM transmits the front wiper request signal (LO) to IPDM E/R with CAN communication according to the washer linked operating condition of the front wiper.
- BCM transmits the front wiper request signal (LO) so that the front wiper operates approximately 2 times when the front washer switch OFF is detected.

Washer linked operating condition of front wiper

- Ignition switch ON
- Front washer switch ON (0.4 second or more)
- IPDM E/R turns ON the integrated front wiper relay according to the front wiper request signal (LO).
- The washer pump is grounded through the combination switch with the front washer switch ON.

### FRONT WIPER FAIL-SAFE OPERATION

IPDM E/R performs the fail-safe function when the front wiper auto stop circuit is malfunctioning. Refer to [PCS-29. "Fail-safe"](#).

A  
B  
C  
D  
E  
F  
G  
H  
I  
J  
K

WW

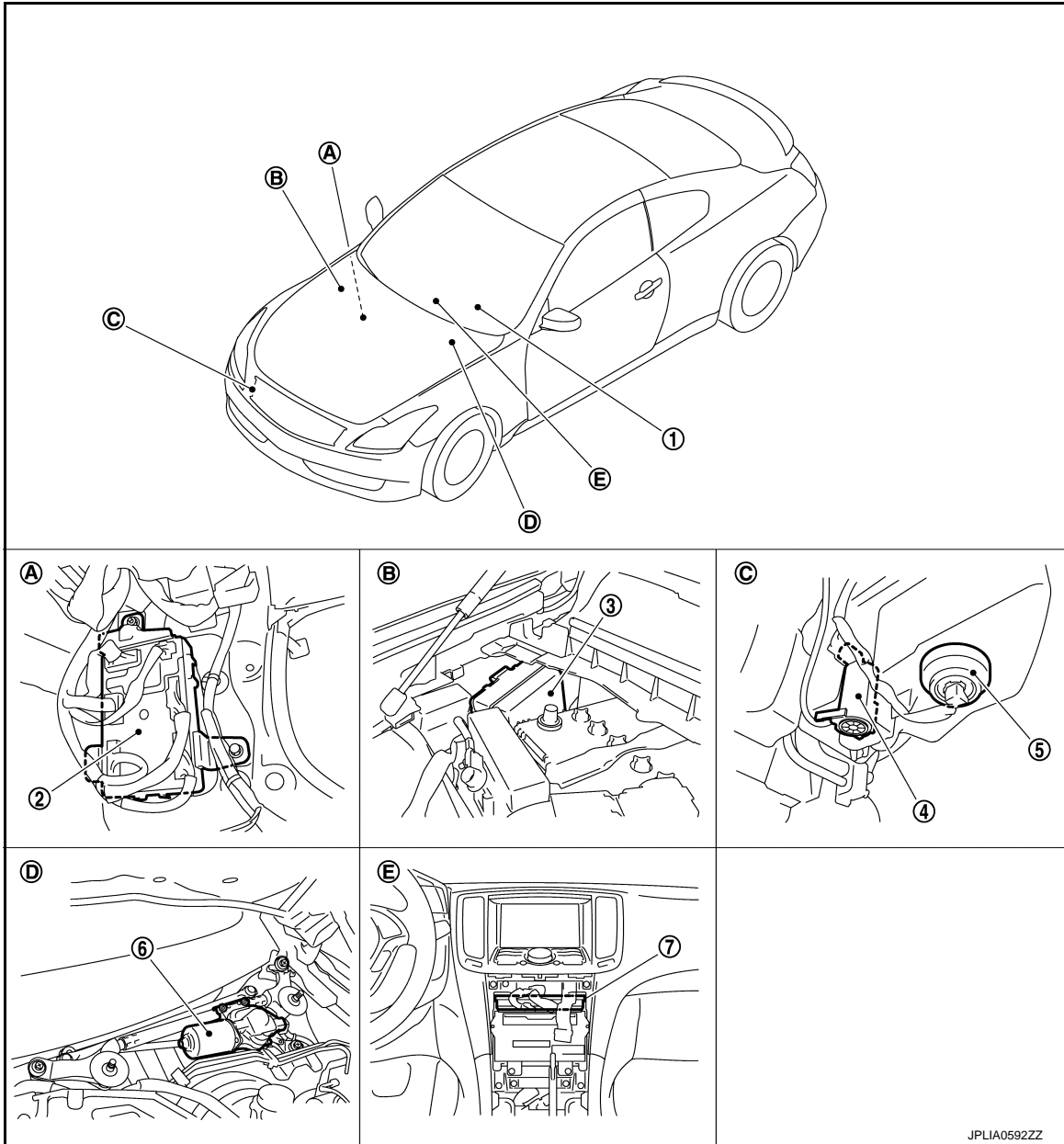
M  
N  
O  
P

# FRONT WIPER AND WASHER SYSTEM

< SYSTEM DESCRIPTION >

## WITHOUT RAIN SENSOR : Component Parts Location

INFOID:000000006472295



- |                                       |                                |                               |
|---------------------------------------|--------------------------------|-------------------------------|
| 1. Combination switch                 | 2. BCM                         | 3. IPDM E/R                   |
| 4. Washer pump                        | 5. Washer level switch         | 6. Front wiper motor          |
| 7. Unified meter and A/C amp.         |                                |                               |
| A. Dash side lower (Passenger side)   | B. Engine room dash panel (RH) | C. Radiator core support (RH) |
| D. Cowl top, left side of engine room | E. Behind cluster lid C        |                               |

## WITHOUT RAIN SENSOR : Component Description

INFOID:000000006472296

Part	Description
BCM	<ul style="list-style-type: none"> <li>Judges the each switch status by the combination switch reading function.</li> <li>Requests (with CAN communication) the front wiper relay and the front wiper high relay ON to IPDM E/R.</li> </ul>
IPDM E/R	<ul style="list-style-type: none"> <li>Controls the integrated relay according to the request (with CAN communication) from BCM.</li> <li>Performs the auto stop control of the front wiper.</li> </ul>

# FRONT WIPER AND WASHER SYSTEM

## < SYSTEM DESCRIPTION >

Part	Description
Combination switch (Wiper & washer switch)	Refer to <a href="#">BCS-7, "System Description"</a> .
Unified meter and A/C amp.	Transmits the vehicle speed signal to BCM with CAN communication.

A

B

C

D

E

F

G

H

I

J

K

WW

M

N

O

P

# DIAGNOSIS SYSTEM (BCM)

< SYSTEM DESCRIPTION >

## DIAGNOSIS SYSTEM (BCM)

### COMMON ITEM

COMMON ITEM : CONSULT-III Function (BCM - COMMON ITEM)

INFOID:000000006939149

### APPLICATION ITEM

CONSULT-III performs the following functions via CAN communication with BCM.

Diagnosis mode	Function Description
Work Support	Changes the setting for each system function.
Self Diagnostic Result	Displays the diagnosis results judged by BCM.
CAN Diag Support Monitor	Monitors the reception status of CAN communication viewed from BCM. Refer to CONSULT-III operation manual.
Data Monitor	The BCM input/output signals are displayed.
Active Test	The signals used to activate each device are forcibly supplied from BCM.
Ecu Identification	The BCM part number is displayed.
Configuration	This function is not used even though it is displayed.

### SYSTEM APPLICATION

BCM can perform the following functions for each system.

#### NOTE:

It can perform the diagnosis modes except the following for all sub system selection items.

×: Applicable item

System	Sub system selection item	Diagnosis mode		
		Work Support	Data Monitor	Active Test
Door lock	DOOR LOCK	×	×	×
Rear window defogger	REAR DEFOGGER		×	×
Warning chime	BUZZER		×	×
Interior room lamp timer	INT LAMP	×	×	×
—	MULTI REMOTE ENT*1			
Exterior lamp	HEAD LAMP	×	×	×
Wiper and washer	WIPER	×*2	×	×
Turn signal and hazard warning lamps	FLASHER	×	×	×
—	AIR CONDITONER*1			
<ul style="list-style-type: none"> <li>• Intelligent Key system</li> <li>• Engine start system</li> </ul>	INTELLIGENT KEY	×	×	×
Combination switch	COMB SW		×	
Body control system	BCM	×		
IVIS - NATS	IMMU		×	×
Interior room lamp battery saver	BATTERY SAVER	×	×	×
Trunk lid open	TRUNK		×	×
Vehicle security system	THEFT ALM	×	×	×
RAP system	RETAINED PWR		×	
Signal buffer system	SIGNAL BUFFER		×	×
TPMS	TPMS (AIR PRESSURE MONITOR)	×	×	×

#### NOTE:

- \*1: This item is displayed, but is not used.
- \*2: At models with rain sensor this mode is displayed, but is not used.

### FREEZE FRAME DATA (FFD)

# DIAGNOSIS SYSTEM (BCM)

## < SYSTEM DESCRIPTION >

The BCM records the following vehicle condition at the time a particular DTC is detected, and displays on CONSULT-III.

CONSULT screen item	Indication/Unit	Description
Vehicle Speed	km/h	Vehicle speed of the moment a particular DTC is detected
Odo/Trip Meter	km	Total mileage (Odometer value) of the moment a particular DTC is detected
Vehicle Condition	SLEEP>LOCK	While turning BCM status from low power consumption mode to normal mode (Power supply position is "LOCK"*)
	SLEEP>OFF	While turning BCM status from low power consumption mode to normal mode (Power supply position is "OFF".)
	LOCK>ACC	While turning power supply position from "LOCK"* to "ACC"
	ACC>ON	While turning power supply position from "ACC" to "IGN"
	RUN>ACC	While turning power supply position from "RUN" to "ACC" (Except emergency stop operation)
	CRANK>RUN	While turning power supply position from "CRANKING" to "RUN" (From cranking up the engine to run it)
	RUN>URGENT	While turning power supply position from "RUN" to "ACC" (Emergency stop operation)
	ACC>OFF	While turning power supply position from "ACC" to "OFF"
	OFF>LOCK	While turning power supply position from "OFF" to "LOCK"*
	OFF>ACC	While turning power supply position from "OFF" to "ACC"
	ON>CRANK	While turning power supply position from "IGN" to "CRANKING"
	OFF>SLEEP	While turning BCM status from normal mode (Power supply position is "OFF".) to low power consumption mode
	LOCK>SLEEP	While turning BCM status from normal mode (Power supply position is "LOCK"*. ) to low power consumption mode
	LOCK	Power supply position is "LOCK" (Ignition switch OFF with steering is locked.)*
	OFF	Power supply position is "OFF" (Ignition switch OFF with steering is unlocked.)
	ACC	Power supply position is "ACC" (Ignition switch ACC)
	ON	Power supply position is "IGN" (Ignition switch ON with engine stopped)
ENGINE RUN	Power supply position is "RUN" (Ignition switch ON with engine running)	
CRANKING	Power supply position is "CRANKING" (At engine cranking)	
IGN Counter	0 - 39	<p>The number of times that ignition switch is turned ON after DTC is detected</p> <ul style="list-style-type: none"> <li>• The number is 0 when a malfunction is detected now.</li> <li>• The number increases like 1 → 2 → 3...38 → 39 after returning to the normal condition whenever ignition switch OFF → ON.</li> <li>• The number is fixed to 39 until the self-diagnosis results are erased if it is over 39.</li> </ul>

### NOTE:

\*: For models without steering lock unit, power supply position changes from "OFF" to "LOCK" when steering lock conditions are satisfied.

## WIPER

### WIPER : CONSULT-III Function (BCM - WIPER)

INFOID:000000006472298

### WORK SUPPORT

# DIAGNOSIS SYSTEM (BCM)

## < SYSTEM DESCRIPTION >

Service item	Setting item	Description
WIPER SPEED SETTING	On	With vehicle speed (Front wiper intermittent time linked with the vehicle speed and wiper intermittent dial position)
	Off*	Without vehicle speed (Front wiper intermittent time linked with the wiper intermittent dial position)

\*:Initial setting

**NOTE:**

Work support item is not indicated when the vehicle with rain sensor.

## DATA MONITOR

Monitor Item [Unit]	Description
VEH SPEED 1 [km/h]	Displays the value of the vehicle speed signal received from unified meter and A/C amp. with CAN communication.
PUSH SW [Off/On]	The switch status input from push-button ignition switch.
FR WIPER HI [Off/On]	Status of each switch judged by BCM using the combination switch reading function
FR WIPER LOW [Off/On]	
FR WASHER SW [Off/On]	
FR WIPER INT [Off/On]	
FR WIPER STOP [Off/On]	Displays the status of the front wiper stop position signal received from IPDM E/R with CAN communication.
INT VOLUME [1 – 7]	Status of each switch judged by BCM using the combination switch reading function

## ACTIVE TEST

Test item	Operation	Description
FRONT WIPER	Hi	Transmits the front wiper request signal (HI) to IPDM E/R with CAN communication to operate the front wiper HI operation.
	Lo	Transmits the front wiper request signal (LO) to IPDM E/R with CAN communication to operate the front wiper LO operation.
	INT	Transmits the front wiper request signal (INT) to IPDM E/R with CAN communication to operate the front wiper INT operation.
	Off	Stops transmitting the front wiper request signal to stop the front wiper operation.



# DIAGNOSIS SYSTEM (IPDM E/R)

< SYSTEM DESCRIPTION >

## DIAGNOSIS SYSTEM (IPDM E/R)

### Diagnosis Description

INFOID:000000006939150

### AUTO ACTIVE TEST

#### Description

In auto active test mode, the IPDM E/R sends a drive signal to the following systems to check their operation.

- Oil pressure warning lamp
- Front wiper (LO, HI)
- Parking lamps
- License plate lamps
- Side maker lamps
- Tail lamps
- Front fog lamps
- Headlamps (LO, HI)
- A/C compressor (magnet clutch)
- Cooling fan (cooling fan control module)

#### Operation Procedure

1. Close the hood and lift the wiper arms from the windshield. (Prevent windshield damage due to wiper operation)  
**NOTE:**  
When auto active test is performed with hood opened, sprinkle water on windshield beforehand.
2. Turn the ignition switch OFF.
3. Turn the ignition switch ON, and within 20 seconds, press the front door switch (driver side) 10 times. Then turn the ignition switch OFF.  
**CAUTION:**  
**Close passenger door.**
4. Turn the ignition switch ON within 10 seconds. After that the horn sounds once and the auto active test starts.
5. The oil pressure warning lamp starts blinking when the auto active test starts.
6. After a series of the following operations is repeated 3 times, auto active test is completed.

#### **NOTE:**

When auto active test mode has to be cancelled halfway through test, turn the ignition switch OFF.

#### **CAUTION:**

- **If auto active test mode cannot be actuated, check door switch system. Refer to [DLK-71](#), "[Component Function Check](#)".**
- **Do not start the engine.**

#### Inspection in Auto Active Test Mode

When auto active test mode is actuated, the following 6 steps are repeated 3 times.

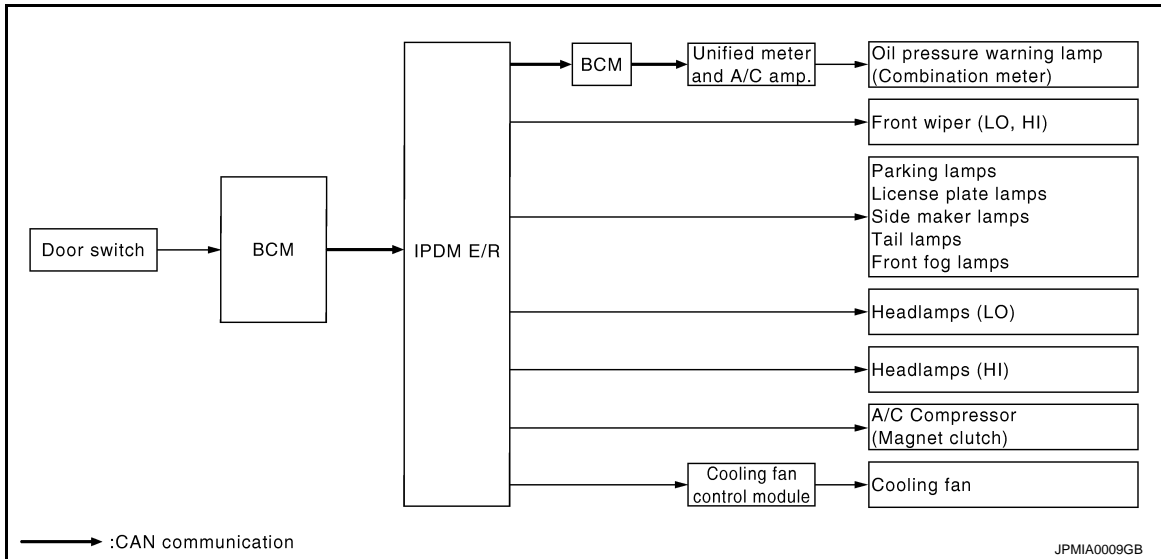
Operation sequence	Inspection location	Operation
1	Oil pressure warning lamp	Blinks continuously during operation of auto active test
2	Front wiper	LO for 5 seconds → HI for 5 seconds
3	<ul style="list-style-type: none"><li>• Parking lamps</li><li>• License plate lamps</li><li>• Side maker lamps</li><li>• Tail lamps</li><li>• Front fog lamps</li></ul>	10 seconds
4	Headlamps	LO ↔ HI 5 times
5	A/C compressor (magnet clutch)	ON ↔ OFF 5 times
6*	Cooling fan	MID for 5 seconds → HI for 5 seconds

\*: Outputs duty ratio of 50% for 5 seconds → duty ratio of 100% for 5 seconds on the cooling fan control module.

# DIAGNOSIS SYSTEM (IPDM E/R)

## < SYSTEM DESCRIPTION >

### Concept of auto active test



- IPDM E/R starts the auto active test with the door switch signals transmitted by BCM via CAN communication. Therefore, the CAN communication line between IPDM E/R and BCM is considered normal if the auto active test starts successfully.
- The auto active test facilitates troubleshooting if any systems controlled by IPDM E/R cannot be operated.

### Diagnosis chart in auto active test mode

Symptom	Inspection contents	Possible cause
Any of the following components do not operate <ul style="list-style-type: none"> <li>• Parking lamps</li> <li>• License plate lamps</li> <li>• Side maker lamps</li> <li>• Tail lamps</li> <li>• Front fog lamps</li> <li>• Headlamp (HI, LO)</li> <li>• Front wiper (HI, LO)</li> </ul>	Perform auto active test. Does the applicable system operate?	YES BCM signal input circuit
		NO <ul style="list-style-type: none"> <li>• Lamp or motor</li> <li>• Lamp or motor ground circuit</li> <li>• Harness or connector between IPDM E/R and applicable system</li> <li>• IPDM E/R</li> </ul>
A/C compressor does not operate	Perform auto active test. Does the magnet clutch operate?	YES <ul style="list-style-type: none"> <li>• Unified meter and A/C amp. signal input circuit</li> <li>• CAN communication signal between unified meter and A/C amp. and ECM</li> <li>• CAN communication signal between ECM and IPDM E/R</li> </ul>
		NO <ul style="list-style-type: none"> <li>• Magnet clutch</li> <li>• Harness or connector between IPDM E/R and magnet clutch</li> <li>• IPDM E/R</li> </ul>
Oil pressure warning lamp does not operate	Perform auto active test. Does the oil pressure warning lamp blink?	YES <ul style="list-style-type: none"> <li>• Harness or connector between IPDM E/R and oil pressure switch</li> <li>• Oil pressure switch</li> <li>• IPDM E/R</li> </ul>
		NO <ul style="list-style-type: none"> <li>• CAN communication signal between IPDM E/R and BCM</li> <li>• CAN communication signal between BCM and unified meter and A/C amp.</li> <li>• Combination meter</li> </ul>

# DIAGNOSIS SYSTEM (IPDM E/R)

## < SYSTEM DESCRIPTION >

Symptom	Inspection contents	Possible cause
Cooling fan does not operate	Perform auto active test. Does the cooling fan operate?	YES <ul style="list-style-type: none"> <li>ECM signal input circuit</li> <li>CAN communication signal between ECM and IPDM E/R</li> </ul>
		NO <ul style="list-style-type: none"> <li>Cooling fan</li> <li>Harness or connector between cooling fan and cooling fan control module</li> <li>Cooling fan control module</li> <li>Harness or connector between IPDM E/R and cooling fan control module</li> <li>Cooling fan relay</li> <li>Harness or connector between IPDM E/R and cooling fan relay</li> <li>IPDM E/R</li> </ul>

## CONSULT-III Function (IPDM E/R)

INFOID:000000006939151

### APPLICATION ITEM

CONSULT-III performs the following functions via CAN communication with IPDM E/R.

Diagnosis mode	Description
Ecu Identification	Allows confirmation of IPDM E/R part number.
Self Diagnostic Result	Displays the diagnosis results judged by IPDM E/R.
Data Monitor	Displays the real-time input/output data from IPDM E/R input/output data.
Active Test	IPDM E/R can provide a drive signal to electronic components to check their operations.
CAN Diag Support Monitor	The results of transmit/receive diagnosis of CAN communication can be read.

### SELF DIAGNOSTIC RESULT

Refer to [WW-87, "DTC Index"](#).

### DATA MONITOR

Monitor item

Monitor Item [Unit]	MAIN SIGNALS	Description
RAD FAN REQ [%]	×	Displays the value of the cooling fan speed signal received from ECM via CAN communication.
AC COMP REQ [Off/On]	×	Displays the status of the A/C compressor request signal received from ECM via CAN communication.
TAIL&CLR REQ [Off/On]	×	Displays the status of the position light request signal received from BCM via CAN communication.
HL LO REQ [Off/On]	×	Displays the status of the low beam request signal received from BCM via CAN communication.
HL HI REQ [Off/On]	×	Displays the status of the high beam request signal received from BCM via CAN communication.
FR FOG REQ [Off/On]	×	Displays the status of the front fog light request signal received from BCM via CAN communication.
FR WIP REQ [Stop/1LOW/Low/Hi]	×	Displays the status of the front wiper request signal received from BCM via CAN communication.
WIP AUTO STOP [STOP P/ACT P]	×	Displays the status of the front wiper auto stop signal judged by IPDM E/R.
WIP PROT [Off/BLOCK]	×	Displays the status of the front wiper fail-safe operation judged by IPDM E/R.

## DIAGNOSIS SYSTEM (IPDM E/R)

### < SYSTEM DESCRIPTION >

Monitor Item [Unit]	MAIN SIG- NALS	Description
IGN RLY1 -REQ [Off/On]		Displays the status of the ignition switch ON signal received from BCM via CAN communication.
IGN RLY [Off/On]	×	Displays the status of the ignition relay judged by IPDM E/R.
PUSH SW [Off/On]		Displays the status of the push-button ignition switch judged by IPDM E/R.
INTER/NP SW [Off/On]		Displays the status of the clutch interlock switch (M/T models) or shift position (A/T models) judged by IPDM E/R.
ST RLY CONT [Off/On]		Displays the status of the starter relay status signal received from BCM via CAN communication.
IHBT RLY -REQ [Off/On]		Displays the status of the starter control relay signal received from BCM via CAN communication.
ST/INH RLY [Off/ ST ON/INH ON/UNKWN]		Displays the status of the starter relay and starter control relay judged by IPDM E/R.
DETENT SW [Off/On]		Displays the status of the A/T shift selector (detention switch) judged by IPDM E/R.
S/L RLY -REQ [Off/On]		Displays the status of the steering lock relay request received from BCM via CAN communication. <b>NOTE:</b> For models without steering lock unit, this item is not monitored.
S/L STATE [LOCK/UNLOCK/UNKWN]		Displays the status of the steering lock judged by IPDM E/R. <b>NOTE:</b> For models without steering lock unit, this item is not monitored.
DTRL REQ [Off/On]		<b>NOTE:</b> The item is indicated, but not monitored.
OIL P SW [Open/Close]		Displays the status of the oil pressure switch judged by IPDM E/R.
HOOD SW [Off/On]		Displays the status of the hood switch judged by IPDM E/R.
HL WASHER REQ [Off/On]		<b>NOTE:</b> The item is indicated, but not monitored.
THFT HRN REQ [Off/On]		Displays the status of the theft warning horn request signal received from BCM via CAN communication.
HORN CHIRP [Off/On]		Displays the status of the horn reminder signal received from BCM via CAN communication.
CRNRNG LMP REQ [Off/On]		<b>NOTE:</b> The item is indicated, but not monitored.

### ACTIVE TEST

#### Test item

Test item	Operation	Description
CORNERING LAMP	Off	<b>NOTE:</b> The item is indicated, but cannot be tested.
	LH	
	RH	
HORN	On	Operates horn relay 1 and horn relay 2 for 20 ms.
FRONT WIPER	Off	OFF
	Lo	Operates the front wiper relay.
	Hi	Operates the front wiper relay and front wiper high relay.

## DIAGNOSIS SYSTEM (IPDM E/R)

### < SYSTEM DESCRIPTION >

Test item	Operation	Description
MOTOR FAN	1	OFF
	2	Outputs 50% pulse duty signal (PWM signal) to the cooling fan control module.
	3	Outputs 80% pulse duty signal (PWM signal) to the cooling fan control module.
	4	Outputs 100% pulse duty signal (PWM signal) to the cooling fan control module.
HEAD LAMP WASHER	On	<b>NOTE:</b> The item is indicated, but cannot be tested.
EXTERNAL LAMPS	Off	OFF
	TAIL	Operates the tail lamp relay.
	Lo	Operates the headlamp low relay.
	Hi	Operates the headlamp low relay and ON/OFF the headlamp high relay at 1 second intervals.
	Fog	Operates the front fog lamp relay.

A  
B  
C  
D  
E  
F  
G  
H  
I  
J  
K  
M  
N  
O  
P

WW

# WIPER AND WASHER FUSE

< DTC/CIRCUIT DIAGNOSIS >

## DTC/CIRCUIT DIAGNOSIS

### WIPER AND WASHER FUSE

#### Description

INFOID:000000006472301

#### Fuse list

Unit	Location	Fuse No.	Capacity
Front wiper motor	IPDM E/R	#60	30 A
Washer pump	IPDM E/R	#47	10 A

#### Diagnosis Procedure

INFOID:000000006472302

#### 1. CHECK FUSES

Check that the following fuses are not fusing.

Unit	Location	Fuse No.	Capacity
Front wiper motor	IPDM E/R	#60	30 A
Washer pump	IPDM E/R	#47	10 A

#### Is the fuse fusing?

- YES >> Replace the fuse with a new one after repairing the applicable circuit.
- NO >> The fuse is normal.

# POWER SUPPLY AND GROUND CIRCUIT

< DTC/CIRCUIT DIAGNOSIS >

## POWER SUPPLY AND GROUND CIRCUIT

### BCM (BODY CONTROL MODULE)

#### BCM (BODY CONTROL MODULE) : Diagnosis Procedure

INFOID:000000006472303

#### 1. CHECK FUSE AND FUSIBLE LINK

Check that the following fuse and fusible link are not blown.

Signal name	Fuse and fusible link No.
Battery power supply	I
	10

#### Is the fuse fusing?

YES >> Replace the blown fuse or fusible link after repairing the affected circuit if a fuse or fusible link is blown.

NO >> GO TO 2.

#### 2. CHECK POWER SUPPLY CIRCUIT

1. Turn ignition switch OFF.
2. Disconnect BCM connectors.
3. Check voltage between BCM harness connector and ground.

Terminals		Voltage (Approx.)
(+)	(-)	
BCM		Ground Battery voltage
Connector	Terminal	
M118	1	
M119	11	

#### Is the measurement value normal?

YES >> GO TO 3.

NO >> Repair harness or connector.

#### 3. CHECK GROUND CIRCUIT

Check continuity between BCM harness connector and ground.

BCM		Ground	Continuity
Connector	Terminal		
M119	13		Existed

#### Does continuity exist?

YES >> INSPECTION END

NO >> Repair harness or connector.

## IPDM E/R (INTELLIGENT POWER DISTRIBUTION MODULE ENGINE ROOM)

### IPDM E/R (INTELLIGENT POWER DISTRIBUTION MODULE ENGINE ROOM) : Diagnosis Procedure

INFOID:000000006472304

#### 1. CHECK FUSES AND FUSIBLE LINK

Check that the following IPDM E/R fuses or fusible links are not blown.

# POWER SUPPLY AND GROUND CIRCUIT

## < DTC/CIRCUIT DIAGNOSIS >

Signal name	Fuses and fusible link No.
Battery power supply	C
	50
	51

### Is the fuse fusing?

YES >> Replace the blown fuse or fusible link after repairing the affected circuit if a fuse or fusible link is blown.

NO >> GO TO 2.

## 2.CHECK POWER SUPPLY CIRCUIT

1. Turn the ignition switch OFF.
2. Disconnect IPDM E/R connector.
3. Check voltage between IPDM E/R harness connector and the ground.

Terminals		Voltage (Approx.)
(+)	(-)	
IPDM E/R		Battery voltage
Connector	Terminal	
E4	1	

### Is the measurement value normal?

YES >> GO TO 3.

NO >> Repair the harness or connector.

## 3.CHECK GROUND CIRCUIT

Check continuity between IPDM E/R harness connectors and the ground.

IPDM E/R		Ground	Continuity
Connector	Terminal		
E5	12		Existed
E6	41		

### Does continuity exist?

YES >> INSPECTION END

NO >> Repair the harness or connector.



# FRONT WIPER MOTOR LO CIRCUIT

< DTC/CIRCUIT DIAGNOSIS >

## FRONT WIPER MOTOR LO CIRCUIT

### Component Function Check

INFOID:000000006472305

#### 1. CHECK FRONT WIPER LO OPERATION

##### IPDM E/R AUTO ACTIVE TEST

1. Start IPDM E/R auto active test. Refer to [PCS-10, "Diagnosis Description"](#).
2. Check that the front wiper operates at the LO operation.

##### CONSULT-III ACTIVE TEST

1. Select "FRONT WIPER" of IPDM E/R active test item.
2. With operating the test item, check front wiper operation.

**Lo** : Front wiper (LO) operation

**Off** : Stop the front wiper.

Is front wiper (LO) operation normally?

- YES >> Front wiper motor LO circuit is normal.  
NO >> Refer to [WW-25, "Diagnosis Procedure"](#).

### Diagnosis Procedure

INFOID:000000006472306

#### 1. CHECK FRONT WIPER MOTOR (LO) OUTPUT VOLTAGE

##### CONSULT-III ACTIVE TEST

1. Turn the ignition switch OFF.
2. Disconnect front wiper motor connector.
3. Turn the ignition switch ON.
4. Select "FRONT WIPER" of IPDM E/R active test item.
5. With operating the test item, check voltage between front wiper motor harness connector and ground.

Terminals		Test item	Voltage (Approx.)
(+)	(-)		
Front wiper motor		FRONT WIPER	Battery voltage
Connector	Terminal		
E42	1		
Ground		Lo	Battery voltage
		Off	0 V

Is the measurement value normal?

- YES >> Replace front wiper motor.  
NO >> GO TO 2.

#### 2. CHECK FRONT WIPER MOTOR (LO) OPEN CIRCUIT

1. Turn the ignition switch OFF.
2. Disconnect IPDM E/R connector.
3. Check continuity between IPDM E/R harness connector and front wiper motor harness connector.

IPDM E/R		Front wiper motor		Continuity
Connector	Terminal	Connector	Terminal	
E5	4	E42	1	Existed

Does continuity exist?

- YES >> GO TO 3.  
NO >> Repair the harness or connector.

#### 3. CHECK FRONT WIPER MOTOR (LO) SHORT CIRCUIT

Check continuity between IPDM E/R harness connector and ground.

A  
B  
C  
D  
E  
F  
G  
H  
I  
J  
K  
M  
N  
O  
P

WW

## FRONT WIPER MOTOR LO CIRCUIT

< DTC/CIRCUIT DIAGNOSIS >

---

IPDM E/R		Ground	Continuity
Connector	Terminal		
E5	4		Not existed

Does continuity exist?

YES >> Repair the harness or connector.

NO >> Replace IPDM E/R.

# FRONT WIPER MOTOR HI CIRCUIT

< DTC/CIRCUIT DIAGNOSIS >

## FRONT WIPER MOTOR HI CIRCUIT

### Component Function Check

INFOID:000000006472307

#### 1. CHECK FRONT WIPER HI OPERATION

##### IPDM E/R AUTO ACTIVE TEST

1. Start IPDM E/R auto active test. Refer to [PCS-10, "Diagnosis Description"](#).
2. Check that the front wiper operates at the HI operation.

##### CONSULT-III ACTIVE TEST

1. Select "FRONT WIPER" of IPDM E/R active test item.
2. With operating the test item, check front wiper operation.

**Hi** : Front wiper (HI) operation

**Off** : Stop the front wiper.

Is front wiper (HI) operation normally?

- YES >> Front wiper motor HI circuit is normal.  
NO >> Refer to [WW-27, "Diagnosis Procedure"](#).

### Diagnosis Procedure

INFOID:000000006472308

#### 1. CHECK FRONT WIPER MOTOR (HI) OUTPUT VOLTAGE

##### CONSULT-III ACTIVE TEST

1. Turn the ignition switch OFF.
2. Disconnect front wiper motor connector.
3. Turn the ignition switch ON.
4. Select "FRONT WIPER" of IPDM E/R active test item.
5. With operating the test item, check voltage between front wiper motor harness connector and ground.

Terminals		Test item	Voltage (Approx.)
(+)	(-)		
Front wiper motor		FRONT WIPER	Battery voltage
Connector	Terminal		
E42	4		
Ground		Hi	Battery voltage
		Off	0 V

Is the measurement value normal?

- YES >> Replace front wiper motor.  
NO >> GO TO 2.

#### 2. CHECK FRONT WIPER MOTOR (HI) OPEN CIRCUIT

1. Turn the ignition switch OFF.
2. Disconnect IPDM E/R connector.
3. Check continuity between IPDM E/R harness connector and front wiper motor harness connector.

IPDM E/R		Front wiper motor		Continuity
Connector	Terminal	Connector	Terminal	
E5	5	E42	4	Existed

Does continuity exist?

- YES >> GO TO 3.  
NO >> Repair the harness or connector.

#### 3. CHECK FRONT WIPER MOTOR (HI) SHORT CIRCUIT

Check continuity between IPDM E/R harness connector and ground.

A  
B  
C  
D  
E  
F  
G  
H  
I  
J  
K  
M  
N  
O  
P

WW

## FRONT WIPER MOTOR HI CIRCUIT

< DTC/CIRCUIT DIAGNOSIS >

---

IPDM E/R		Ground	Continuity
Connector	Terminal		
E5	5		Not existed

Does continuity exist?

YES >> Repair the harness or connector.

NO >> Replace IPDM E/R.

# FRONT WIPER AUTO STOP SIGNAL CIRCUIT

< DTC/CIRCUIT DIAGNOSIS >

## FRONT WIPER AUTO STOP SIGNAL CIRCUIT

### Component Function Check

INFOID:000000006472309

#### 1.CHECK FRONT WIPER (AUTO STOP) SIGNAL

##### CONSULT-III DATA MONITOR

1. Select "WIP AUTO STOP" of IPDM E/R data monitor item.
2. Operate the front wiper.
3. With the front wiper operation, check the monitor status.

Monitor item	Condition		Monitor status
WIP AUTO STOP	Front wiper motor	Stop position	STOP P
		Except stop position	ACT P

##### Is the status of item normal?

- YES >> Auto stop signal circuit is normal.  
NO >> Refer to [WW-29, "Diagnosis Procedure"](#).

### Diagnosis Procedure

INFOID:000000006472310

#### 1.CHECK FRONT WIPER MOTOR (AUTO STOP) OUTPUT VOLTAGE

1. Turn the ignition switch OFF.
2. Disconnect front wiper motor connector.
3. Turn the ignition switch ON.
4. Check voltage between front wiper motor harness connector and ground.

Terminals		Voltage (Approx.)
(+)	(-)	
Front wiper motor		Battery voltage
Connector	Terminal	
E42	5	

##### Is the measurement value normal?

- YES >> Replace front wiper motor.  
NO >> GO TO 2.

#### 2.CHECK FRONT WIPER MOTOR (AUTO STOP) OPEN CIRCUIT CONTINUITY

1. Turn the ignition switch OFF.
2. Disconnect IPDM E/R connector.
3. Check continuity between IPDM E/R harness connector and front wiper motor harness connector.

IPDM E/R		Front wiper motor		Continuity
Connector	Terminal	Connector	Terminal	
E5	16	E42	5	Existed

##### Does continuity exist?

- YES >> GO TO 3.  
NO >> Repair the harnesses or connectors.

#### 3.CHECK FRONT WIPER MOTOR (AUTO STOP) SHORT CIRCUIT

1. Turn the ignition switch OFF.
2. Disconnect IPDM E/R connector.
3. Check continuity between IPDM E/R harness connector and ground.

## FRONT WIPER AUTO STOP SIGNAL CIRCUIT

< DTC/CIRCUIT DIAGNOSIS >

---

IPDM E/R		Ground	Continuity
Connector	Terminal		
E5	16		Not existed

Does continuity exist?

YES >> Repair the harnesses or connectors.

NO >> Replace IPDM E/R.

# FRONT WIPER MOTOR GROUND CIRCUIT

< DTC/CIRCUIT DIAGNOSIS >

## FRONT WIPER MOTOR GROUND CIRCUIT

### Diagnosis Procedure

INFOID:000000006472311

#### 1. CHECK FRONT WIPER MOTOR (GND) OPEN CIRCUIT

1. Turn the ignition switch OFF.
2. Disconnect front wiper motor connector.
3. Check continuity between front wiper motor harness connector and ground.

Front wiper motor		Ground	Continuity
Connector	Terminal		Existed
E42	2		

#### Does continuity exist?

- YES >> Front wiper motor ground circuit is normal.  
NO >> Repair the harnesses or connectors.

A  
B  
C  
D  
E  
F  
G  
H  
I  
J  
K  
M  
N  
O  
P

WW

# RAIN SENSOR

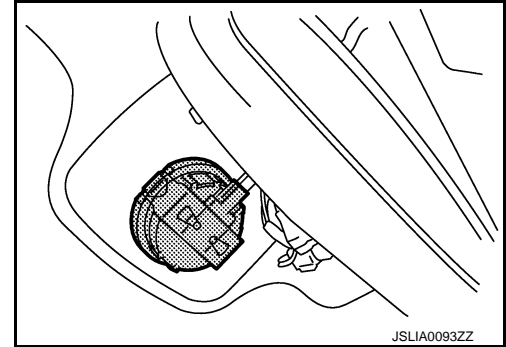
< DTC/CIRCUIT DIAGNOSIS >

## RAIN SENSOR

### Description

INFOID:000000006472312

Rain sensor judges a wiping speed for front wiper by rain condition and the vehicle conditions. And it transmits the wiping speed request signal to the BCM via the rain sensor serial link.



### Component Function Check

INFOID:000000006472313

#### 1. CHECK FRONT WIPER AUTO OPERATION

1. Clean rain sensor detection area of windshield fully.
2. When the front wiper switch is turned to INT position, front wiper operates once regardless of a rainy condition.

Is front wiper (AUTO) operation normally?

- YES >> Rain sensor circuit is normal.  
NO >> Refer to [WW-32, "Diagnosis Procedure"](#).

### Diagnosis Procedure

INFOID:000000006472314

#### 1. CHECK RAIN SENSOR FUSE

1. Turn the ignition switch OFF.
2. Check that the rain sensor 10A fuse (#6) is not fusing.

Is the fuse fusing?

- YES >> Replace the fuse after repairing the applicable circuit.  
NO >> GO TO 2.

#### 2. CHECK RAIN SENSOR POWER SUPPLY

1. Turn ignition switch OFF.
2. Disconnect rain sensor connector.
3. Turn ignition switch ON.
4. Check voltage between rain sensor harness connector and ground.

Terminal			Voltage (Approx.)
(+)	(-)		
Rain sensor connector	Terminal	(-)	
R8	1	Ground	Battery voltage

Is the measurement value normal?

- YES >> GO TO 3.  
NO >> Repair or replace harness.

#### 3. CHECK RAIN SENSOR GROUND CIRCUIT

1. Turn ignition switch OFF.
2. Check continuity between rain sensor harness connector and ground.



# RAIN SENSOR

## < DTC/CIRCUIT DIAGNOSIS >

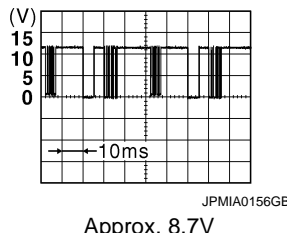
Rain sensor		Ground	Continuity
Connector	Terminal		
R8	3		Existed

### Does continuity exist?

- YES >> GO TO 4.  
 NO >> Repair or replace harness.

## 4. CHECK RAIN SENSOR SIGNAL

1. Connect rain sensor connector.
2. Turn ignition switch ON.
3. Check signal between BCM harness connector and ground with oscilloscope.

Terminal (+)		Terminal (-)	Condition	Signal (Reference value)
BCM connector	Terminal			
M123	112	Ground	Ignition switch ON	

### Is the measurement value normal?

- YES >> Replace rain sensor. Refer to [WW-108, "Exploded View"](#).  
 NO >> GO TO 5.

## 5. CHECK RAIN SENSOR SIGNAL CIRCUIT FOR OPEN

1. Disconnect BCM connector.
2. Check continuity between BCM harness connector and rain sensor harness connector.

BCM		Rain sensor		Continuity
Connector	Terminal	Connector	Terminal	
M123	112	R8	2	Existed

### Does continuity exist?

- YES >> GO TO 6.  
 NO >> Repair or replace harness.

## 6. CHECK RAIN SENSOR SIGNAL CIRCUIT FOR SHORT

Check continuity between BCM harness connector and ground.

BCM		Ground	Continuity
Connector	Terminal		
M123	112		Not existed

### Does continuity exist?

- YES >> Repair or replace harness.  
 NO >> Replace BCM. Refer to [BCS-81, "Exploded View"](#).

A  
B  
C  
D  
E  
F  
G  
H  
I  
J  
K  
M  
N  
O  
P

WW

# WASHER SWITCH

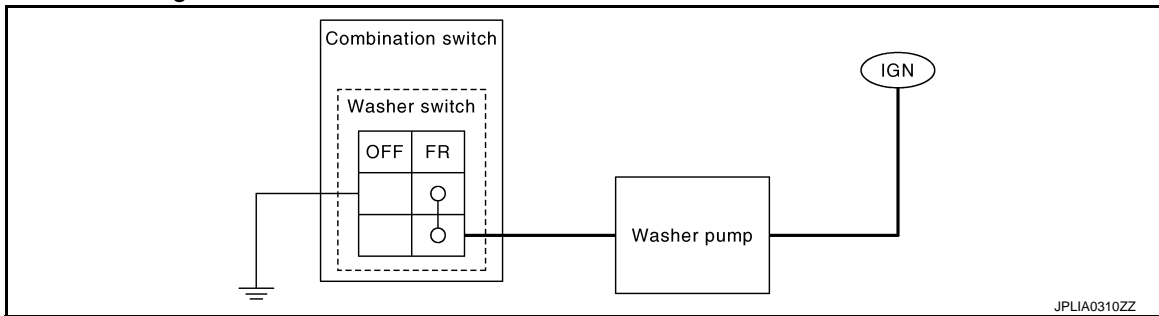
< DTC/CIRCUIT DIAGNOSIS >

## WASHER SWITCH

### Description

INFOID:000000006472315

Washer switch is integrated with combination switch.



### Component Inspection

INFOID:000000006472316

#### 1. CHECK WIPER SWITCH

1. Turn the ignition switch OFF.
2. Disconnect combination switch connector.
3. Check continuity between the combination switch terminals.

Combination switch		Condition	Continuity
Terminal			
1	6	Front washer switch ON	Existed

#### Does continuity exist?

- YES >> Wiper and washer switch is normal.  
NO >> Replace wiper and washer switch.

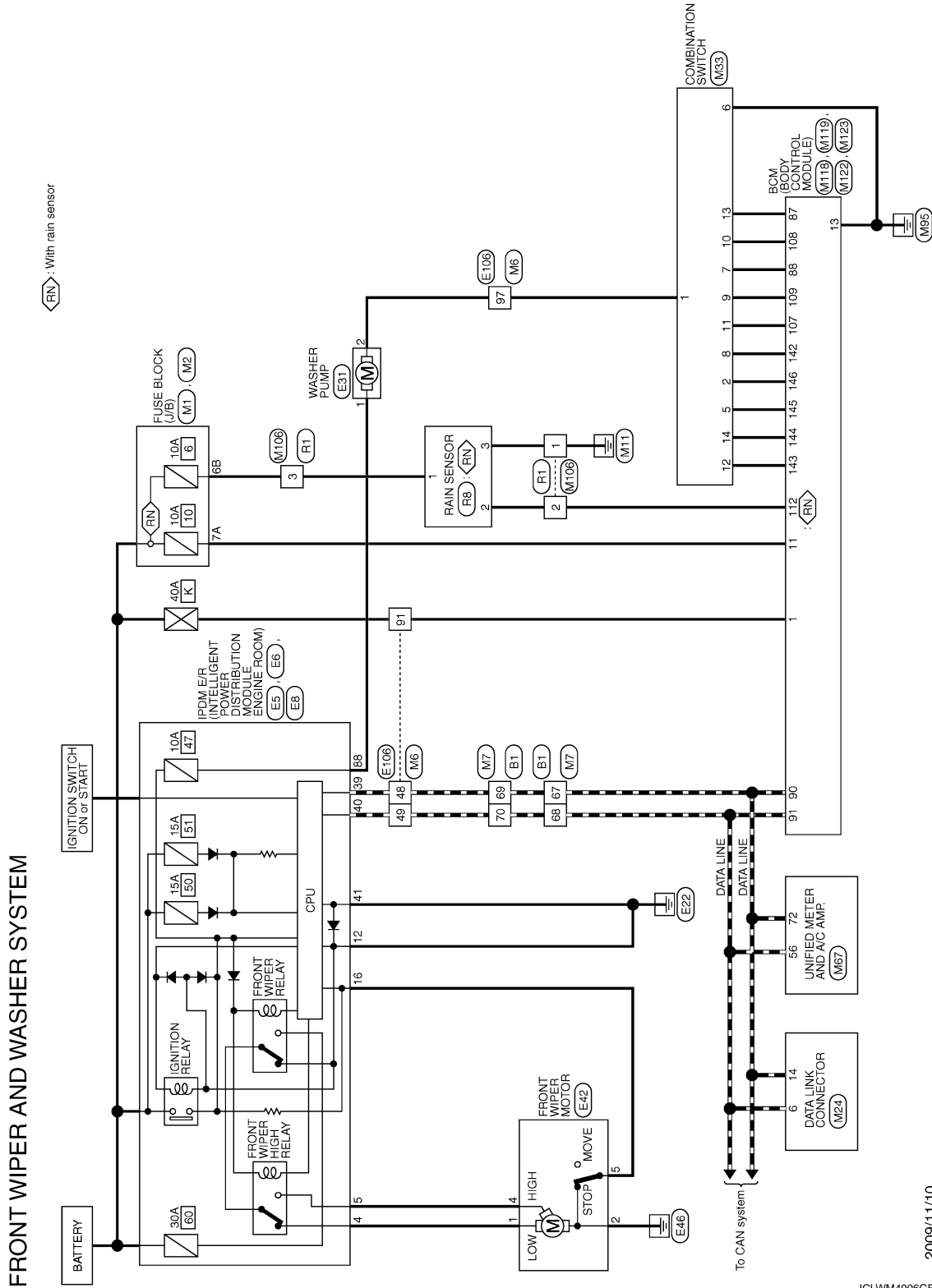
# FRONT WIPER AND WASHER SYSTEM

< DTC/CIRCUIT DIAGNOSIS >

## FRONT WIPER AND WASHER SYSTEM

### Wiring Diagram - FRONT WIPER AND WASHER SYSTEM -

INFOID:000000006472317



2009/11/10

JCLWM4906GB

A  
B  
C  
D  
E  
F  
G  
H  
I  
J  
K  
L  
M  
N  
O  
P

WW

# FRONT WIPER AND WASHER SYSTEM

< DTC/CIRCUIT DIAGNOSIS >

## FRONT WIPER AND WASHER SYSTEM

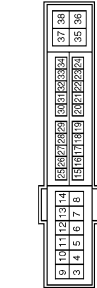
Connector No.	B1
Connector Name	WIRE TO WIRE
Connector Type	TH80FW-CS16-TM44



Terminal No.	Color of Wire	Signal Name [Specification]
1	W	
2	L	
3	R	
4	V	
5	W	
6	B	
7	G	
8	G	
9	G	
10	BR	
12	SHIELD	
13	Y	
14	L	
15	R	
16	W	
17	BR	
20	G	
21	SB	
22	GR	
23	W	
24	SB	
25	BR	
26	LG	
27	Y	
28	R	
29	V	
31	SHIELD	
32	G	
33	R	
34	BG	
35	GR	
36	BR	
37	P	- [With climate controlled seat]
37	Y	- [Without climate controlled seat]
38	V	- [With climate controlled seat]
38	GR	- [Without climate controlled seat]
40	SHIELD	
41	L	
42	P	
43	SHIELD	

44	SB	
45	V	
46	W	
47	SB	
48	LG	
49	LG	- [With BOSE system]
49	Y	- [Without BOSE system]
50	SB	
50	LG	- [With BOSE system]
51	SB	
52	G	
53	LG	
54	BR	
55	Y	
56	W	
57	V	
58	R	
60	R	
61	BG	
62	B	
63	L	
64	P	
65	B	
66	SB	
67	P	
68	L	
69	P	
70	L	
80	G	
81	V	
82	R	
83	BR	
84	G	
85	L	
86	Y	
87	GR	
91	R	
93	BG	
94	P	
95	GR	
96	GR	
97	SB	
99	Y	
100	Y/B	

Connector No.	E5
Connector Name	ENGINE ROOM INTELLIGENT POWER DISTRIBUTION MODULE
Connector Type	TH80FW-CS12-M4-IV



Terminal No.	Color of Wire	Signal Name [Specification]
4	V	
5	L	
6	SB	
7	R	
11	BR	
12	B/W	
13	Y	
16	LG	
19	W	
25	G	
26	R	
27	BG	
28	L	
30	GR	
32	V	
33	P	
36	G	

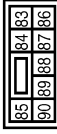
Connector No.	E5
Connector Name	ENGINE ROOM INTELLIGENT POWER DISTRIBUTION MODULE
Connector Type	TH80FW-1H1



Terminal No.	Color of Wire	Signal Name [Specification]
39	P	
40	L	
41	B/W	
42	Y	
43	SB	

44	LG	-
45	G	-
46	W	-

Connector No.	E8
Connector Name	ENGINE ROOM INTELLIGENT POWER DISTRIBUTION MODULE
Connector Type	NS80FW-CS



Terminal No.	Color of Wire	Signal Name [Specification]
83	R	
84	P	
86	W	
87	L	
88	G	
89	BR	
90	LG	

Connector No.	E81
Connector Name	WASHER PUMP
Connector Type	EQ2FGY-RS



Terminal No.	Color of Wire	Signal Name [Specification]
1	G	
2	BR	

JCLWM6367GB

# FRONT WIPER AND WASHER SYSTEM

< DTC/CIRCUIT DIAGNOSIS >

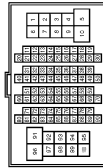
## FRONT WIPER AND WASHER SYSTEM

Connector No.	E42
Connector Name	FRONT WIPER MOTOR
Connector Type	HS2BFGY



Terminal No.	Color of Wire	Signal Name [Specification]
1	V	-
2	B/W	-
4	L	-
5	LG	-

Connector No.	E106
Connector Name	WIRE TO WIRE
Connector Type	TH80FW-CS16-TM4



Terminal No.	Color of Wire	Signal Name [Specification]
1	GR	-
2	BG	-
4	B/W	-
5	G	-
6	BG	-
7	LG	-
8	G	-
9	R	-
10	W	-
11	V	-
12	R	-
13	L	-
14	GR	-
15	P	-
16	W	-
17	V	-
18	BG	-
18	GR	-

20	LG	-
30	R	-
31	L	-
32	BG	-
33	P	-
34	V	-
35	BR	-
36	W	-
37	Y	-
38	R	-
39	B	-
40	G	-
41	W	-
42	LG	-
43	SB	-
44	GR	-
45	BG	-
46	LG	-
47	V	-
48	P	-
49	L	-
59	B	-
66	LG	-
67	SB	-
68	R	-
69	W	-
70	G	-
80	W	-
81	P	-
82	G	-
83	V	-
84	L	-
85	BG	-
86	LG	-
87	Y	-
88	GR	-
89	W	-
90	W	-
91	G	-
92	B	-
93	GR	-
94	L	-
95	Y	-
97	BR	-
98	SHIELD	-
99	L	-
100	P	-

Connector No.	M1
Connector Name	FUSE BLOCK (U/B)
Connector Type	NS10FW-M2



Terminal No.	Color of Wire	Signal Name [Specification]
1A	V	-
2A	G	-
3A	L	-
4A	P	-
5A	BR	-
6A	Y	-
7A	GR	-
8A	L	-

Connector No.	M2
Connector Name	FUSE BLOCK (U/B)
Connector Type	NS10FW-CS



Terminal No.	Color of Wire	Signal Name [Specification]
10B	R	-
11B	P	-
12B	G	-
13B	BG	-
14B	Y	-
15B	P	-
16B	R	-
17B	SB	-

JCLWM6368GB

A  
B  
C  
D  
E  
F  
G  
H  
I  
J  
K  
L  
M  
N  
O  
P

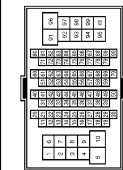
WW

# FRONT WIPER AND WASHER SYSTEM

## < DTC/CIRCUIT DIAGNOSIS >

### FRONT WIPER AND WASHER SYSTEM

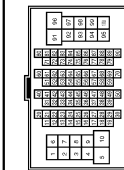
Connector No.	M6
Connector Name	WIRE TO WIRE
Connector Type	TH80MW-CS16-TM4



Terminal No.	Color of Wire	Signal Name [Specification]
1	BG	-
3	R	-
4	G	-
5	G	-
6	BR	-
7	BR	-
8	Y	-
9	R	-
10	W	-
11	GR	-
12	R	-
13	L	-
14	G	-
15	P	-
16	W	-
17	BR	-
18	V	-
19	BG	-
20	L	-
30	R	-
31	L	-
32	Y	-
33	GR	-
34	P	-
35	BR	-
36	BR	-
37	Y	-
38	LG	-
39	SB	-
40	G	-
41	W	-
42	LG	-
43	P	-
44	GR	-
44	R	- [With A/T]
45	BG	- [With M/T]
46	G	-
47	P	-

48	P	-
49	L	-
59	B	-
66	Y	-
67	G	-
68	R	-
69	W	-
70	G	-
80	SB	-
81	R	-
82	V	-
83	W	-
84	L	-
85	BG	-
86	G	-
87	V	-
88	B	-
89	SB	-
90	G	-
91	W	-
92	B	-
93	G	-
94	L	-
95	BR	-
97	P	-
98	SHIELD	-
99	V	-
100	SB	-

Connector No.	M7
Connector Name	WIRE TO WIRE
Connector Type	TH80MW-CS16-TM4

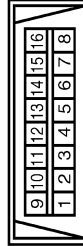


Terminal No.	Color of Wire	Signal Name [Specification]
1	BG	-
2	LG	-
3	G	-
4	V	-
5	L	-
6	B	-
9	L	-
10	BR	-

12	SHIELD	-
13	V	-
14	BR	-
15	GR	-
16	LG	-
17	L	-
20	BR	-
21	G	-
22	R	-
23	SB	-
24	B	-
25	W	-
26	L	-
27	V	-
28	P	-
29	V	-
31	SHIELD	-
32	G	-
33	R	-
34	BG	-
35	GR	-
36	GR	-
37	P	-
37	L	- [With climate controlled seat]
38	V	- [Without climate controlled seat]
38	GR	- [With climate controlled seat]
40	SHIELD	-
41	L	-
42	P	-
43	SHIELD	-
44	Y	-
45	BR	-
46	SB	-
47	SB	-
48	LG	-
49	LG	-
49	SB	- [With BOSE system]
49	SB	- [Without BOSE system]
50	LG	- [With BOSE system]
50	LG	- [Without BOSE system]
51	R	-
52	V	-
53	P	-
54	BR	-
55	Y	-
55	BG	- [With A/T]
56	L	- [Without M/T]
57	V	-
58	R	-
60	LG	-
61	BG	-
62	B	-
63	V	-

64	SB	-
65	BR	-
66	Y	-
67	P	-
68	L	-
69	P	-
70	L	-
80	G	-
81	LG	-
82	Y	-
83	BR	-
84	V	-
85	L	-
86	V	-
87	GR	-
91	R	-
93	G	-
94	P	-
95	GR	-
96	Y	-
97	SB	-
99	Y	-
100	Y/B	-

Connector No.	M24
Connector Name	DATA LINK CONNECTOR
Connector Type	BD16FW



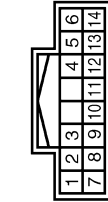
Terminal No.	Color of Wire	Signal Name [Specification]
3	LG	-
4	B	-
5	BR	-
6	L	-
7	V	-
8	G	-
11	SB	-
14	P	-
16	R	-

# FRONT WIPER AND WASHER SYSTEM

< DTC/CIRCUIT DIAGNOSIS >

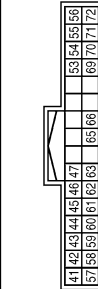
## FRONT WIPER AND WASHER SYSTEM

Connector No.	M63
Connector Name	COMBINATION SWITCH
Connector Type	TH16FW-NH



Terminal No.	Color of Wire	Signal Name [Specification]
1	P	ER WASHER (-)
2	SB	OUTPUT 4
5	L	OUTPUT 3
6	B	GND
7	EG	INPUT 3
8	BR	OUTPUT 5
9	W	INPUT 2
10	R	INPUT 4
11	LG	INPUT 1
12	V	OUTPUT 1
13	Y	INPUT 5
14	G	OUTPUT 2

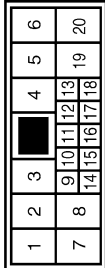
Connector No.	M67
Connector Name	UNIFIED METER AND A/C AMP.
Connector Type	TH22FW-NH



Terminal No.	Color of Wire	Signal Name [Specification]
41	BR	ACC POWER SUPPLY
42	BR	FUEL LEVEL SENSOR SIGNAL
43	R	INTAKE SENSOR SIGNAL
44	LG	IN-VEHICLE SENSOR SIGNAL
45	V	AMBIENT SENSOR SIGNAL
46	EG	SUNLOAD SENSOR SIGNAL
47	G	EXHAUST GAS / OUTSIDE OZONE DETECTING SENSOR SIGNAL
53	W	IGNITION POWER SUPPLY
54	EG	BATTERY POWER SUPPLY
55	B	GROUND

Terminal No.	Color of Wire	Signal Name [Specification]
56	L	CAN-H
57	LG	BRAKE FLUID LEVEL SWITCH SIGNAL
58	Y	FUEL LEVEL SENSOR SIGNAL GROUND
59	GR	INTAKE SENSOR GROUND
60	L	IN-VEHICLE SENSOR GROUND
61	R	AMBIENT SENSOR GROUND
62	SB	SUNLOAD SENSOR GROUND
63	L	ION CONTROL MODE OUTPUT SIGNAL
65	BG	ECV SIGNAL
69	L	A/C LAN SIGNAL
70	R	EACH DOOR MOTOR POWER SUPPLY
71	GR	GROUND
72	P	CAN-L

Connector No.	M106
Connector Name	WIRE TO WIRE
Connector Type	NH10MH-CS10



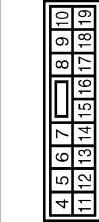
Terminal No.	Color of Wire	Signal Name [Specification]
1	B	-
2	BR	-
3	Y	-
4	G	-
5	SHIELD	-
6	R	-
7	B	-
8	L	-
9	R	-
10	SB	-
11	V	-
12	LG	-
18	B	-
19	P	-
20	Y	-

Connector No.	M118
Connector Name	BCM (BODY CONTROL MODULE)
Connector Type	M03FE-LC



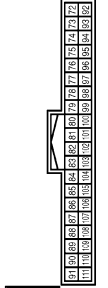
Terminal No.	Color of Wire	Signal Name [Specification]
1	W	BAT. (F/L)
2	Y	POWER WINDOW POWER SUPPLY (BAT)
3	BG	POWER WINDOW POWER SUPPLY (BAP)

Connector No.	M119
Connector Name	BCM (BODY CONTROL MODULE)
Connector Type	NS16FW-CS



Terminal No.	Color of Wire	Signal Name [Specification]
4	LG	INTERIOR ROOM LAMP POWER SUPPLY
5	P	PASSENGER DOOR UNLOCK OUTPUT
7	SB	STEP LAMP
8	V	ALL DOOR FUEL LID LOCK OUTPUT
9	G	DRIVER DOOR FUEL LID UNLOCK OUTPUT
11	GR	BAT. (FUSE)
13	B	GND
14	W	PUSH-BUTTON IGNITION SW ILL GND
15	BG	ACC IND
17	BR	TURN SIGNAL RH (FRONT)
18	BG	TURN SIGNAL LH (FRONT)
19	V	ROOM LAMP TIMER CONTROL

Connector No.	M122
Connector Name	BCM (BODY CONTROL MODULE)
Connector Type	TH40FE-NH



Terminal No.	Color of Wire	Signal Name [Specification]
72	R	ROOM ANT 2-
73	G	ROOM ANT 2+
74	SR	PASSENGER DOOR ANT-
75	BR	PASSENGER DOOR ANT+
76	V	DRIVER DOOR ANT-
77	LG	DRIVER DOOR ANT+
78	Y	ROOM ANT 1-
79	BR	ROOM ANT 1+
80	GR	NATS. ANTENNA AMP.
81	W	NATS. ANTENNA AMP.
82	R	IGN RELAY (F/B) CONT
83	Y	KEYLESS ENTRY RECEIVER COMM
87	Y	COMBI SW INPUT 5
88	BG	COMBI SW INPUT 3
89	BR	PUSH SW
90	P	CAN-H
91	L	CAN-L
92	LG	KEY SLOT ILL ON IND
93	V	ACC RELAY CONT
95	BG	ACC RELAY CONT
96	GR	A/T SHIFT SELECTOR POWER SUPPLY
97	L	S/L CONDITION 2
98	SB	S/L CONDITION 2
99	R	ASCD CLUTCH SW [WR, M/T]
99	R	SHIFT P [WR, A/T]
100	Y	PASSENGER DOOR REQUEST SW
101	P	DRIVER DOOR REQUEST SW
102	BG	BLOWER FAN MOTOR RELAY CONT
103	LG	KEYLESS ENTRY RECEIVER POWER SUPPLY
106	W	S/L UNIT POWER SUPPLY
107	LG	COMBI SW INPUT 1
108	R	COMBI SW INPUT 4
109	W	COMBI SW INPUT 2
110	G	HAZARD SW
111	Y	S/L UNIT COMM

A  
B  
C  
D  
E  
F  
G  
H  
I  
J  
K  
L  
M  
N  
O  
P

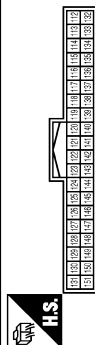
WW

# FRONT WIPER AND WASHER SYSTEM

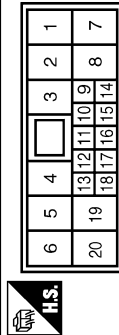
< DTC/CIRCUIT DIAGNOSIS >

## FRONT WIPER AND WASHER SYSTEM

Connector No.	M123
Connector Name	BCM (BODY CONTROL MODULE)
Connector Type	TH4FG-1N1



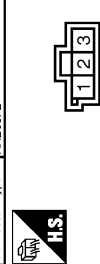
Connector No.	R1
Connector Name	WIRE TO WIRE
Connector Type	IN110FY-SS10



Terminal No.	Color of Wire	Signal Name [Specification]
112	BR	RAIN SENSOR SERIAL LINK
113	G	OPTICAL SENSOR
114	R	CLUTCH INTERLOCK SW
116	SB	STOP LAMP SW 1
118	BR	STOP LAMP SW 2
119	GR	DR DOOR UNLOCK SENSOR
121	SB	KEY SLOT SW
123	W	IGN P/B
124	EG	PASSENGER DOOR SW
129	EG	TRUNK LID OPENER CANCEL SW
132	LG	P/W SW & RHT C/U COMM
133	Y	PUSH-BUTTON IGNITION SW ILL POWER
134	LG	LOCK IND
137	BG	RECEIVER / SENSOR GND
138	Y	RECEIVER / SENSOR POWER SUPPLY
139	L	TIRE PRESSURE RECEIVER COMM
140	GR	SHIFT N/P
141	R	SECURITY INDICATOR LAMP
142	BR	COMBI SW OUTPUT 5
143	V	COMBI SW OUTPUT 1
144	G	COMBI SW OUTPUT 2
145	L	COMBI SW OUTPUT 3
146	SB	COMBI SW OUTPUT 4
150	R	DRIVER DOOR SW
151	G	REAR WINDOW DEFOGGER RELAY CONT

Terminal No.	Color of Wire	Signal Name [Specification]
1	B	
2	BR	
3	Y	
4	W	
5	SHIELD	
6	O	
7	B	
8	L	
9	Y	
10	B	
11	V	
12	R	
18	B	
19	BR	
20	G	

Connector No.	R8
Connector Name	RAIN SENSOR
Connector Type	AAB63FB



Terminal No.	Color of Wire	Signal Name [Specification]
1	Y	+B
2	BR	SIG
3	B	GND

JCLWM6371GB



## BCM (BODY CONTROL MODULE)

< ECU DIAGNOSIS INFORMATION >

# ECU DIAGNOSIS INFORMATION

## BCM (BODY CONTROL MODULE)

Reference Value

INFOID:000000006965601

### VALUES ON THE DIAGNOSIS TOOL

CONSULT-III MONITOR ITEM

Monitor Item	Condition	Value/Status
FR WIPER HI	Other than front wiper switch HI	Off
	Front wiper switch HI	On
FR WIPER LOW	Other than front wiper switch LO	Off
	Front wiper switch LO	On
FR WASHER SW	Front washer switch OFF	Off
	Front washer switch ON	On
FR WIPER INT	Other than front wiper switch INT/AUTO	Off
	Front wiper switch INT/AUTO	On
FR WIPER STOP	Front wiper is not in STOP position	Off
	Front wiper is in STOP position	On
INT VOLUME	Wiper volume dial is in a dial position 1 - 7	Wiper volume dial position
TURN SIGNAL R	Other than turn signal switch RH	Off
	Turn signal switch RH	On
TURN SIGNAL L	Other than turn signal switch LH	Off
	Turn signal switch LH	On
TAIL LAMP SW	Other than lighting switch 1ST and 2ND	Off
	Lighting switch 1ST or 2ND	On
HI BEAM SW	Other than lighting switch HI	Off
	Lighting switch HI	On
HEAD LAMP SW 1	Other than lighting switch 2ND	Off
	Lighting switch 2ND	On
HEAD LAMP SW 2	Other than lighting switch 2ND	Off
	Lighting switch 2ND	On
PASSING SW	Other than lighting switch PASS	Off
	Lighting switch PASS	On
AUTO LIGHT SW	Other than lighting switch AUTO	Off
	Lighting switch AUTO	On
FR FOG SW	Front fog lamp switch OFF	Off
	Front fog lamp switch ON	On
RR FOG SW	<b>NOTE:</b> The item is indicated, but not monitored.	Off
DOOR SW-DR	Driver door closed	Off
	Driver door opened	On
DOOR SW-AS	Passenger door closed	Off
	Passenger door opened	On
DOOR SW-RR	<b>NOTE:</b> The item is indicated, but not monitored.	Off

## BCM (BODY CONTROL MODULE)

### < ECU DIAGNOSIS INFORMATION >

Monitor Item	Condition	Value/Status
DOOR SW-RL	<b>NOTE:</b> The item is indicated, but not monitored.	Off
DOOR SW-BK	<b>NOTE:</b> The item is indicated, but not monitored.	Off
CDL LOCK SW	Other than power door lock switch LOCK	Off
	Power door lock switch LOCK	On
CDL UNLOCK SW	Other than power door lock switch UNLOCK	Off
	Power door lock switch UNLOCK	On
KEY CYL LK-SW	Other than driver door key cylinder LOCK position	Off
	Driver door key cylinder LOCK position	On
KEY CYL UN-SW	Other than driver door key cylinder UNLOCK position	Off
	Driver door key cylinder UNLOCK position	On
KEY CYL SW-TR	<b>NOTE:</b> The item is indicated, but not monitored.	Off
HAZARD SW	Hazard switch is OFF	Off
	Hazard switch is ON	On
REAR DEF SW	<b>NOTE:</b> The item is indicated, but not monitored.	Off
H/L WASH SW	<b>NOTE:</b> The item is indicated, but not monitored.	Off
TR CANCEL SW	Trunk lid opener cancel switch OFF	Off
	Trunk lid opener cancel switch ON	On
TR/BD OPEN SW	Trunk lid opener switch OFF	Off
	While the trunk lid opener switch is turned ON	On
TRNK/HAT MNTR	Trunk lid closed	Off
	Trunk lid opened	On
RKE-LOCK	LOCK button of the Intelligent Key is not pressed	Off
	LOCK button of the Intelligent Key is pressed	On
RKE-UNLOCK	UNLOCK button of the Intelligent Key is not pressed	Off
	UNLOCK button of the Intelligent Key is pressed	On
RKE-TR/BD	TRUNK OPEN button of the Intelligent Key is not pressed	Off
	TRUNK OPEN button of the Intelligent Key is pressed	On
RKE-PANIC	PANIC button of the Intelligent Key is not pressed	Off
	PANIC button of the Intelligent Key is pressed	On
RKE-P/W OPEN	UNLOCK button of the Intelligent Key is not pressed	Off
	UNLOCK button of the Intelligent Key is pressed and held	On
RKE-MODE CHG	LOCK/UNLOCK button of the Intelligent Key is not pressed and held simultaneously	Off
	LOCK/UNLOCK button of the Intelligent Key is pressed and held simultaneously	On
OPTICAL SENSOR	Bright outside of the vehicle	Close to 5 V
	Dark outside of the vehicle	Close to 0 V
REQ SW -DR	Driver door request switch is not pressed	Off
	Driver door request switch is pressed	On
REQ SW -AS	Passenger door request switch is not pressed	Off
	Passenger door request switch is pressed	On
REQ SW -RR	<b>NOTE:</b> The item is indicated, but not monitored.	Off

## BCM (BODY CONTROL MODULE)

### < ECU DIAGNOSIS INFORMATION >

Monitor Item	Condition	Value/Status	
REQ SW -RL	<b>NOTE:</b> The item is indicated, but not monitored.	Off	A
REQ SW -BD/TR	Trunk lid opener request switch is not pressed	Off	B
	Trunk lid opener request switch is pressed	On	
PUSH SW	Push-button ignition switch (push switch) is not pressed	Off	C
	Push-button ignition switch (push switch) is pressed	On	
IGN RLY2 -F/B	Ignition switch in OFF or ACC position	Off	D
	Ignition switch in ON position	On	
ACC RLY -F/B	<b>NOTE:</b> The item is indicated, but not monitored.	Off	E
CLUCH SW	The clutch pedal is not depressed	Off	E
	The clutch pedal is depressed	On	
BRAKE SW 1	The brake pedal is depressed when No. 7 fuse is blown	Off	F
	The brake pedal is not depressed when No. 7 fuse is blown, or No. 7 fuse is normal	On	
BRAKE SW 2	The brake pedal is not depressed	Off	G
	The brake pedal is depressed	On	
DETE/CANCL SW	<ul style="list-style-type: none"> <li>• Selector lever in P position (Except M/T models)</li> <li>• The clutch pedal is depressed (M/T models)</li> </ul>	Off	H
	<ul style="list-style-type: none"> <li>• Selector lever in any position other than P (Except M/T models)</li> <li>• The clutch pedal is not depressed (M/T models)</li> </ul>	On	
SFT PN/N SW	Selector lever in any position other than P and N	Off	I
	Selector lever in P or N position	On	
S/L -LOCK <b>NOTE:</b> For models without steering lock unit, this item is not monitored.	Steering is unlocked	Off	J
	Steering is locked	On	
S/L -UNLOCK <b>NOTE:</b> For models without steering lock unit, this item is not monitored.	Steering is locked	Off	K
	Steering is unlocked	On	
S/L RELAY-F/B <b>NOTE:</b> For models without steering lock unit, this item is not monitored.	Ignition switch in OFF or ACC position	Off	M
	Ignition switch in ON position	On	
UNLK SEN -DR	Driver door is unlocked	Off	N
	Driver door is locked	On	
PUSH SW -IPDM	Push-button ignition switch (push-switch) is not pressed	Off	O
	Push-button ignition switch (push-switch) is pressed	On	
IGN RLY1 -F/B	Ignition switch in OFF or ACC position	Off	P
	Ignition switch in ON position	On	
DETE SW -IPDM	Selector lever in any position other than P	Off	P
	Selector lever in P position	On	
SFT PN -IPDM	<ul style="list-style-type: none"> <li>• Selector lever in any position other than P and N (Except M/T models)</li> <li>• The clutch pedal is not depressed (M/T models)</li> </ul>	Off	P
	<ul style="list-style-type: none"> <li>• Selector lever in P or N position</li> <li>• The clutch pedal is depressed</li> </ul>	On	

WW

## BCM (BODY CONTROL MODULE)

### < ECU DIAGNOSIS INFORMATION >

Monitor Item	Condition	Value/Status
SFT P -MET	Selector lever in any position other than P	Off
	Selector lever in P position	On
SFT N -MET	Selector lever in any position other than N	Off
	Selector lever in N position	On
ENGINE STATE	Engine stopped	Stop
	While the engine stalls	Stall
	At engine cranking	Crank
	Engine running	Run
S/L LOCK-IPDM <b>NOTE:</b> For models without steering lock unit, this item is not monitored.	Steering is unlocked	Off
	Steering is locked	On
S/L UNLK-IPDM <b>NOTE:</b> For models without steering lock unit, this item is not monitored.	Steering is locked	Off
	Steering is unlocked	On
S/L RELAY-REQ <b>NOTE:</b> For models without steering lock unit, this item is not monitored.	Steering lock system is not the LOCK condition and the changing condition from LOCK to UNLOCK	Off
	Steering lock system are not the LOCK condition or the changing condition from LOCK to UNLOCK	On
VEH SPEED 1	While driving	Equivalent to speedometer reading
VEH SPEED 2	While driving	Equivalent to speedometer reading
DOOR STAT-DR	Driver door is locked	LOCK
	Wait with selective UNLOCK operation (60 seconds)	READY
	Driver door is unlocked	UNLOCK
DOOR STAT-AS	Passenger door is locked	LOCK
	Wait with selective UNLOCK operation (60 seconds)	READY
	Passenger door is unlocked	UNLOCK
ID OK FLAG	Driver side door is open after ignition switch is turned OFF (Selector lever is in the P position except for M/T models)	Reset
	Ignition switch ON	Set
PRMT ENG STRT	The engine start is prohibited	Reset
	The engine start is permitted	Set
PRMT RKE STRT	<b>NOTE:</b> The item is indicated, but not monitored.	Reset
KEY SW -SLOT	The Intelligent Key is not inserted into key slot	Off
	The Intelligent Key is inserted into key slot	On
RKE OPE COUN1	During the operation of the Intelligent Key	Operation frequency of the Intelligent Key
RKE OPE COUN2	<b>NOTE:</b> The item is indicated, but not monitored.	—
CONFRM ID ALL	The key ID that the key slot receives is not recognized by any key ID registered to BCM.	Yet
	The key ID that the key slot receives is recognized by any key ID registered to BCM.	Done

## BCM (BODY CONTROL MODULE)

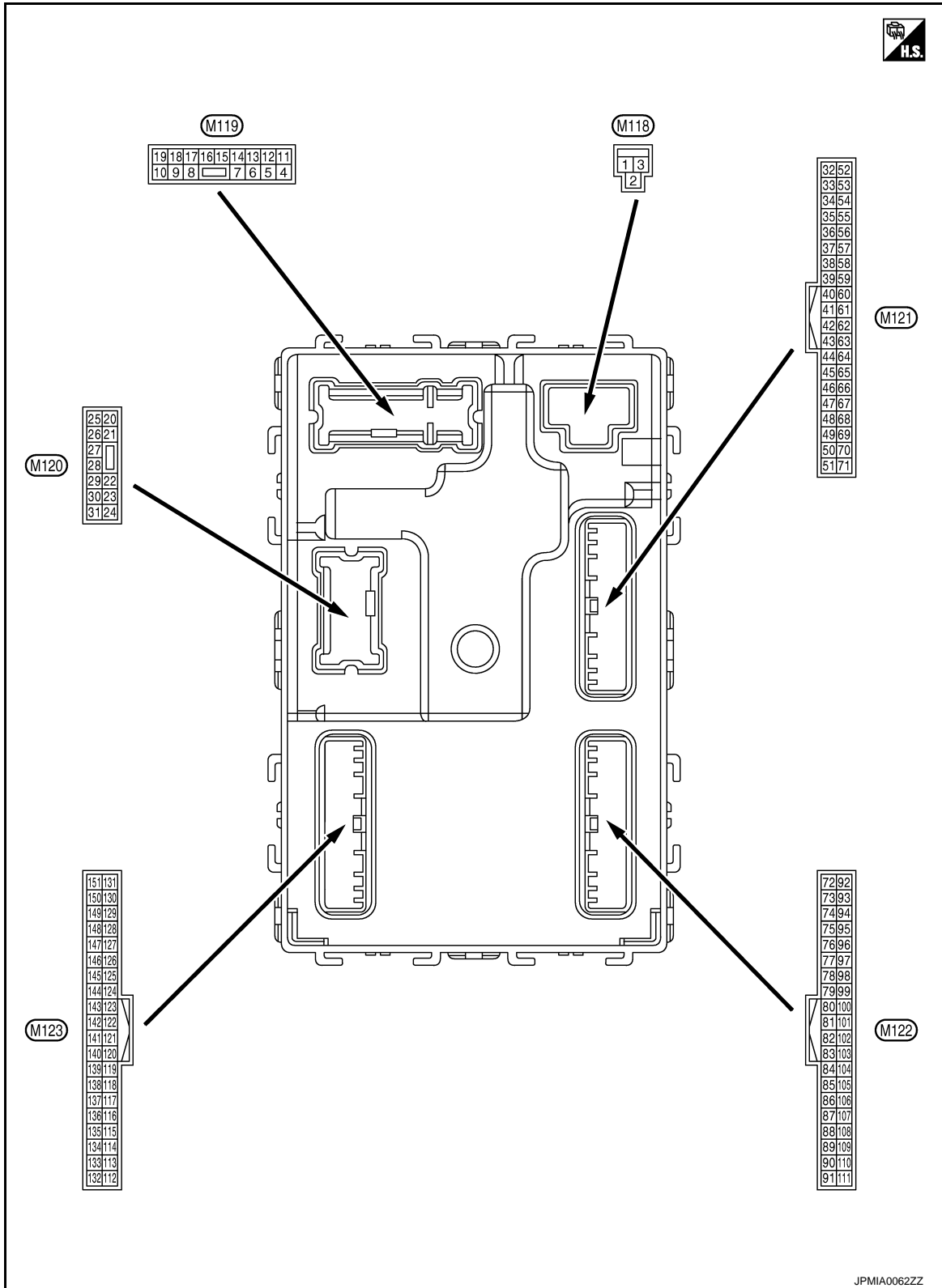
### < ECU DIAGNOSIS INFORMATION >

Monitor Item	Condition	Value/Status	
CONFIRM ID4	The key ID that the key slot receives is not recognized by the fourth key ID registered to BCM.	Yet	A
	The key ID that the key slot receives is recognized by the fourth key ID registered to BCM.	Done	B
CONFIRM ID3	The key ID that the key slot receives is not recognized by the third key ID registered to BCM.	Yet	C
	The key ID that the key slot receives is recognized by the third key ID registered to BCM.	Done	
CONFIRM ID2	The key ID that the key slot receives is not recognized by the second key ID registered to BCM.	Yet	D
	The key ID that the key slot receives is recognized by the second key ID registered to BCM.	Done	
CONFIRM ID1	The key ID that the key slot receives is not recognized by the first key ID registered to BCM.	Yet	E
	The key ID that the key slot receives is recognized by the first key ID registered to BCM.	Done	F
TP 4	The ID of fourth Intelligent Key is not registered to BCM	Yet	
	The ID of fourth Intelligent Key is registered to BCM	Done	G
TP 3	The ID of third Intelligent Key is not registered to BCM	Yet	
	The ID of third Intelligent Key is registered to BCM	Done	H
TP 2	The ID of second Intelligent Key is not registered to BCM	Yet	
	The ID of second Intelligent Key is registered to BCM	Done	I
TP 1	The ID of first Intelligent Key is not registered to BCM	Yet	
	The ID of first Intelligent Key is registered to BCM	Done	J
AIR PRESS FL	Ignition switch ON (Only when the signal from the transmitter is received)	Air pressure of front LH tire	K
AIR PRESS FR	Ignition switch ON (Only when the signal from the transmitter is received)	Air pressure of front RH tire	
AIR PRESS RR	Ignition switch ON (Only when the signal from the transmitter is received)	Air pressure of rear RH tire	
AIR PRESS RL	Ignition switch ON (Only when the signal from the transmitter is received)	Air pressure of rear LH tire	
ID REGST FL1	ID of front LH tire transmitter is registered	Done	WW
	ID of front LH tire transmitter is not registered	Yet	
ID REGST FR1	ID of front RH tire transmitter is registered	Done	M
	ID of front RH tire transmitter is not registered	Yet	
ID REGST RR1	ID of rear RH tire transmitter is registered	Done	N
	ID of rear RH tire transmitter is not registered	Yet	
ID REGST RL1	ID of rear LH tire transmitter is registered	Done	O
	ID of rear LH tire transmitter is not registered	Yet	
WARNING LAMP	Tire pressure indicator OFF	Off	
	Tire pressure indicator ON	On	
BUZZER	Tire pressure warning alarm is not sounding	Off	P
	Tire pressure warning alarm is sounding	On	

# BCM (BODY CONTROL MODULE)

< ECU DIAGNOSIS INFORMATION >

## TERMINAL LAYOUT



## PHYSICAL VALUES

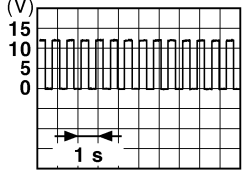
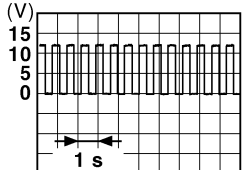
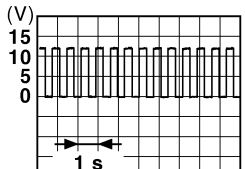
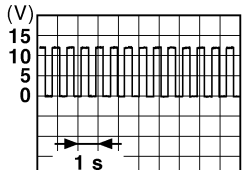
# BCM (BODY CONTROL MODULE)

## < ECU DIAGNOSIS INFORMATION >

Terminal No. (Wire color)		Description		Condition		Value (Approx.)
		Signal name	Input/ Output			
+	-					
1 (W)	Ground	Battery power supply	Input	Ignition switch OFF		Battery voltage
2 (Y)	Ground	P/W power supply (BAT)	Output	Ignition switch OFF		12 V
3 (BG)	Ground	P/W power supply (RAP)	Output	Ignition switch ON		12 V
4 (LG)	Ground	Interior room lamp power supply	Output	Interior room lamp battery saver is activated. (Cuts the interior room lamp power supply)		0 V
				Interior room lamp battery saver is not activated. (Outputs the interior room lamp power supply)		12 V
5 (P)	Ground	Passenger door UN- LOCK	Output	Passenger door	UNLOCK (Actuator is activated)	12 V
					Other than UNLOCK (Ac- tuator is not activated)	0 V
7 (SB)	Ground	Step lamp	Output	Step lamp	ON	0 V
					OFF	12 V
8 (V)	Ground	All doors, fuel lid LOCK	Output	All doors, fuel lid	LOCK (Actuator is activated)	12 V
					Other than LOCK (Actuator is not activated)	0 V
9 (G)	Ground	Driver door, fuel lid UNLOCK	Output	Driver door, fuel lid	UNLOCK (Actuator is activated)	12 V
					Other than UNLOCK (Actuator is not activated)	0 V
11 (GR)	Ground	Battery power supply	Input	Ignition switch OFF		Battery voltage
13 (B)	Ground	Ground	—	Ignition switch ON		0 V
14 (W)	Ground	Push-button ignition switch illumination ground	Output	Tail lamp	OFF	0 V
					ON	<p style="text-align: center;"><b>NOTE:</b> When the illumination brighten- ing/dimming level is in the neutral position.</p>  <p style="text-align: right; font-size: small;">JSNIA0010GB</p>
15 (BG)	Ground	ACC indicator lamp	Output	Ignition switch	OFF (LOCK indicator is not illuminated)	Battery voltage
					ACC	0 V

# BCM (BODY CONTROL MODULE)

## < ECU DIAGNOSIS INFORMATION >

Terminal No. (Wire color)		Description		Condition	Value (Approx.)	
+	-	Signal name	Input/ Output			
17 (BR)	Ground	Turn signal RH (Front)	Output	Ignition switch ON	Turn signal switch OFF	0 V
				Turn signal switch RH	 <small>PKID0926E</small>	6.5 V
18 (BG)	Ground	Turn signal LH (Front)	Output	Ignition switch ON	Turn signal switch OFF	0 V
				Turn signal switch LH	 <small>PKID0926E</small>	6.5 V
19 (V)	Ground	Room lamp timer control	Output	Interior room lamp	OFF	12 V
				ON	0 V	
20 (V)	Ground	Turn signal RH (Rear)	Output	Ignition switch ON	Turn signal switch OFF	0 V
				Turn signal switch RH	 <small>PKID0926E</small>	6.5 V
23 (Y)	Ground	Trunk lid open	Output	Trunk lid	OPEN (Trunk lid opener actuator is activated)	12 V
				Other than OPEN (Trunk lid opener actuator is not activated)	0 V	
25 (Y)	Ground	Turn signal LH (Rear)	Output	Ignition switch ON	Turn signal switch OFF	0 V
				Turn signal switch LH	 <small>PKID0926E</small>	6.5 V
30 (P)	Ground	Trunk room lamp	Output	Trunk room lamp	ON	0 V
				OFF	12 V	



# BCM (BODY CONTROL MODULE)

## < ECU DIAGNOSIS INFORMATION >

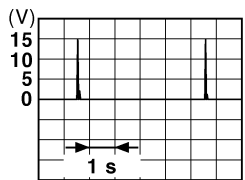
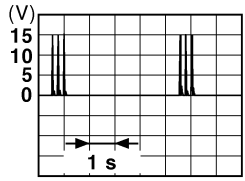
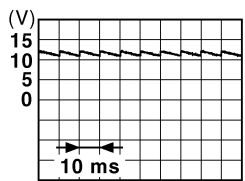
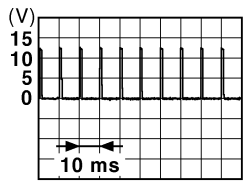
Terminal No. (Wire color)		Description		Condition	Value (Approx.)
+	-	Signal name	Input/ Output		
34 (SB)	Ground	Trunk room antenna (-)	Output	Ignition switch OFF	
				When Intelligent Key is not in the passenger compart- ment	
35 (V)	Ground	Trunk room antenna (+)	Output	Ignition switch OFF	
				When Intelligent Key is not in the passenger compart- ment	
38 (B)	Ground	Rear bumper anten- na (-)	Output	When the trunk lid opener re- quest switch is operated with ignition switch OFF	
				When Intelligent Key is not in the antenna detection area	

A  
B  
C  
D  
E  
F  
G  
H  
I  
J  
K  
M  
N  
O  
P

WW

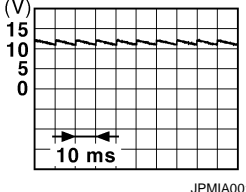
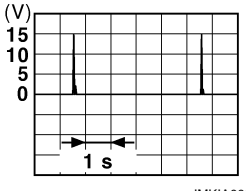
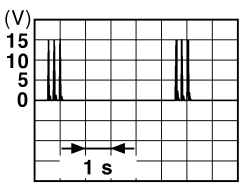
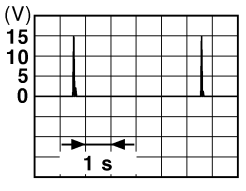
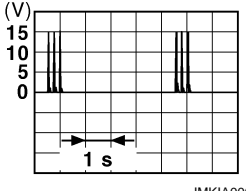
# BCM (BODY CONTROL MODULE)

## < ECU DIAGNOSIS INFORMATION >

Terminal No. (Wire color)		Description		Condition	Value (Approx.)	
		Signal name	Input/ Output			
+	-					
39 (W)	Ground	Rear bumper antenna (+)	Output	When the trunk lid opener request switch is operated with ignition switch OFF	When Intelligent Key is in the antenna detection area	 <small>JMKIA0062GB</small>
				When Intelligent Key is not in the antenna detection area	 <small>JMKIA0063GB</small>	
47 (Y)	Ground	Ignition relay (IPDM E/R) control	Output	Ignition switch	OFF or ACC	12 V
					ON	0 V
50 (G)	Ground	Trunk room lamp switch	Input	Trunk room lamp switch	OFF (Trunk lid is closed)	 <small>JPMIA0011GB</small> 11.8 V
					ON (Trunk lid is opened)	0 V
52 (BR)	Ground	Starter relay control	Output	Ignition switch ON (A/T models)	When selector lever is in P or N position	12 V
					When selector lever is not in P or N position	0 V
				Ignition switch ON (M/T models)	When the clutch pedal is depressed	Battery voltage
					When the clutch pedal is not depressed	0 V
60*1 (BR)	Ground	Push-button ignition switch (Push switch)	Input	Push-button ignition switch (push switch)	Pressed	0 V
					Not pressed	Battery voltage
61 (SB)	Ground	Trunk lid opener request switch	Input	Trunk lid opener request switch	ON (Pressed)	0 V
					OFF (Not pressed)	 <small>JPMIA0016GB</small> 1.0 V
64 (G)	Ground	Intelligent Key warning buzzer (Engine room)	Output	Intelligent Key warning buzzer (Engine room)	Sounding	0 V
					Not sounding	12 V

# BCM (BODY CONTROL MODULE)

## < ECU DIAGNOSIS INFORMATION >

Terminal No. (Wire color)		Description		Condition	Value (Approx.)	
+	-	Signal name	Input/ Output			
67 (GR)	Ground	Trunk lid opener switch	Input	Trunk lid open- er switch	Pressed	0 V
					Not pressed	 11.8 V
72 (R)	Ground	Room antenna 2 (-) (Center console)	Output	Ignition switch OFF	When Intelligent Key is in the passenger compart- ment	 11.8 V
					When Intelligent Key is not in the passenger compart- ment	 11.8 V
73 (G)	Ground	Room antenna 2 (+) (Center console)	Output	Ignition switch OFF	When Intelligent Key is in the passenger compart- ment	 11.8 V
					When Intelligent Key is not in the passenger compart- ment	 11.8 V

A  
B  
C  
D  
E  
F  
G  
H  
I  
J  
K  
M  
N  
O  
P

WW

# BCM (BODY CONTROL MODULE)

## < ECU DIAGNOSIS INFORMATION >

Terminal No. (Wire color)		Description		Condition	Value (Approx.)
+	-	Signal name	Input/ Output		
74 (SB)	Ground	Passenger door antenna (-)	Output	When Intelligent Key is in the antenna detection area	
				When the passenger door request switch is operated with ignition switch OFF	
75 (BR)	Ground	Passenger door antenna (+)	Output	When Intelligent Key is in the antenna detection area	
				When the passenger door request switch is operated with ignition switch OFF	
76 (V)	Ground	Driver door antenna (-)	Output	When Intelligent Key is in the antenna detection area	
				When the driver door request switch is operated with ignition switch OFF	

# BCM (BODY CONTROL MODULE)

## < ECU DIAGNOSIS INFORMATION >

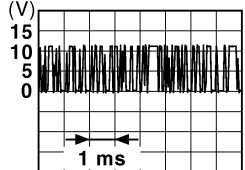
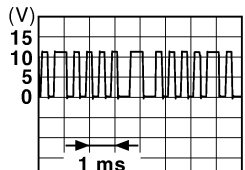

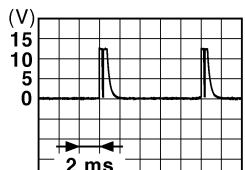
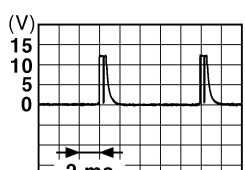
Terminal No. (Wire color)		Description		Condition	Value (Approx.)
+	-	Signal name	Input/ Output		
77 (LG)	Ground	Driver door antenna (+)	Output	When the driver door request switch is operated with ignition switch OFF	<p style="text-align: right; font-size: small;">JMkia0062GB</p>
				When Intelligent Key is not in the antenna detection area	<p style="text-align: right; font-size: small;">JMkia0063GB</p>
78 (Y)	Ground	Room antenna 1 (-) (Instrument panel)	Output	Ignition switch OFF	<p style="text-align: right; font-size: small;">JMkia0062GB</p>
				When Intelligent Key is not in the passenger compartment	<p style="text-align: right; font-size: small;">JMkia0063GB</p>
79 (BR)	Ground	Room antenna 1 (+) (Instrument panel)	Output	Ignition switch OFF	<p style="text-align: right; font-size: small;">JMkia0062GB</p>
				When Intelligent Key is not in the passenger compartment	<p style="text-align: right; font-size: small;">JMkia0063GB</p>

A  
B  
C  
D  
E  
F  
G  
H  
I  
J  
K  
M  
N  
O  
P

WW

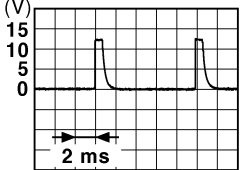

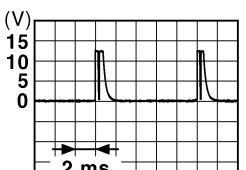

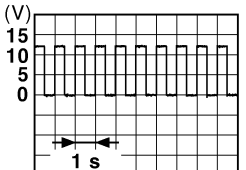
# BCM (BODY CONTROL MODULE)

## < ECU DIAGNOSIS INFORMATION >

Terminal No. (Wire color)		Description		Condition		Value (Approx.)
+	-	Signal name	Input/ Output			
80 (GR)	Ground	NATS antenna amp.	Input/ Output	During waiting	Ignition switch is pressed while inserting the Intelligent Key into the key slot.	Just after pressing ignition switch. Pointer of tester should move.
81 (W)	Ground	NATS antenna amp.	Input/ Output	During waiting	Ignition switch is pressed while inserting the Intelligent Key into the key slot.	Just after pressing ignition switch. Pointer of tester should move.
82 (R)	Ground	Ignition relay [Fuse block (J/B)] control	Output	Ignition switch	OFF or ACC	0 V
					ON	12 V
83 (Y)	Ground	Remote keyless entry receiver communication	Input/ Output	During waiting		 <p style="text-align: right; font-size: small;">JMKIA0064GB</p>
				When operating either button on the Intelligent Key		 <p style="text-align: right; font-size: small;">JMKIA0065GB</p>
87 (Y)	Ground	Combination switch INPUT 5	Input	Combination switch	All switches OFF (Wiper volume dial 4)	 <p style="text-align: right; font-size: small;">JPMIA0041GB</p> <p style="text-align: center;">1.4 V</p>
					Front fog lamp switch ON (Wiper volume dial 4)	 <p style="text-align: right; font-size: small;">JPMIA0037GB</p> <p style="text-align: center;">1.3 V</p>
					Any of the conditions below with all switches OFF <ul style="list-style-type: none"> <li>• Wiper volume dial 1</li> <li>• Wiper volume dial 2</li> <li>• Wiper volume dial 6</li> <li>• Wiper volume dial 7</li> </ul>	 <p style="text-align: right; font-size: small;">JPMIA0040GB</p> <p style="text-align: center;">1.3 V</p>

# BCM (BODY CONTROL MODULE)

## < ECU DIAGNOSIS INFORMATION >

Terminal No. (Wire color)		Description		Condition	Value (Approx.)	
		Signal name	Input/ Output			
+	-					
88 (BG)	Ground	Combination switch INPUT 3	Input	Combination switch	All switches OFF (Wiper volume dial 4)	 <small>JPMIA0041GB</small> 1.4 V
					Lighting switch HI (Wiper volume dial 4)	 <small>JPMIA0036GB</small> 1.3 V
					Lighting switch 2ND (Wiper volume dial 4)	 <small>JPMIA0037GB</small> 1.3 V
					Any of the conditions below with all switches OFF <ul style="list-style-type: none"> <li>• Wiper volume dial 1</li> <li>• Wiper volume dial 2</li> <li>• Wiper volume dial 3</li> </ul>	 <small>JPMIA0040GB</small> 1.3 V
89*2 (BR)	Ground	Push-button ignition switch (Push switch)	Input	Push-button ignition switch (push switch)	Pressed	0 V
					Not pressed	Battery voltage
90 (P)	Ground	CAN-L	Input/ Output	—	—	
91 (L)	Ground	CAN-H	Input/ Output	—	—	
92 (LG)	Ground	Key slot illumination	Output	Key slot illumina- tion	OFF	0 V
					Blinking	 <small>JPMIA0015GB</small> 6.5 V
					ON	12 V

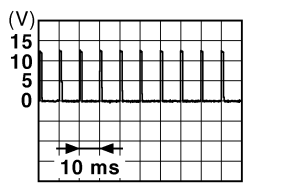
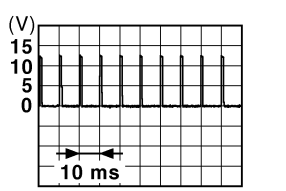
A  
B  
C  
D  
E  
F  
G  
H  
I  
J  
K

WW

M  
N  
O  
P

# BCM (BODY CONTROL MODULE)

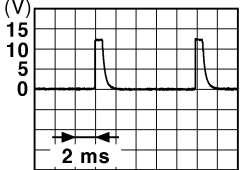

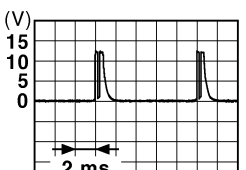

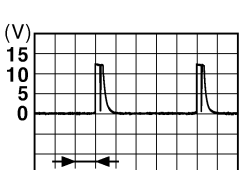
## < ECU DIAGNOSIS INFORMATION >

Terminal No. (Wire color)		Description		Condition		Value (Approx.)
		Signal name	Input/ Output			
+	-					
93 (V)	Ground	ON indicator lamp	Output	Ignition switch	OFF (LOCK indicator is not illuminated)	Battery voltage
					ON	0 V
95 (BG)	Ground	ACC relay control	Output	Ignition switch	OFF	0 V
					ACC or ON	12 V
96 (GR)	Ground	A/T shift selector (Detention switch) power supply	Output	—	—	12 V
97*2 (L)	Ground	Steering lock condition No. 1	Input	Steering lock	LOCK status	0 V
					UNLOCK status	12 V
98*2 (SB)	Ground	Steering lock condition No. 2	Input	Steering lock	LOCK status	12 V
					UNLOCK status	0 V
99 (R)	Ground	Selector lever P position switch	Input	Selector lever	P position	0 V
					Any position other than P	12 V
		ASCD clutch switch (M/T models without ICC)		ASCD clutch switch	OFF (Clutch pedal is depressed)	0 V
					ON (Clutch pedal is not depressed)	12 V
		ICC clutch switch (M/T models with ICC)		ICC clutch switch	OFF (Clutch pedal is depressed)	0 V
					ON (Clutch pedal is not depressed)	12 V
100 (Y)	Ground	Passenger door request switch	Input	Passenger door request switch	ON (Pressed)	0 V
					OFF (Not pressed)	 <p style="text-align: center;">1.0 V</p>
101 (P)	Ground	Driver door request switch	Input	Driver door request switch	ON (Pressed)	0 V
					OFF (Not pressed)	 <p style="text-align: center;">1.0 V</p>
102 (BG)	Ground	Blower fan motor relay control	Output	Ignition switch	OFF or ACC	0 V
					ON	12 V
103 (LG)	Ground	Remote keyless entry receiver power supply	Output	Ignition switch OFF	—	12 V
106*2 (W)	Ground	Steering lock unit power supply	Output	Ignition switch	OFF or ACC	12 V
					ON	0 V



# BCM (BODY CONTROL MODULE)

## < ECU DIAGNOSIS INFORMATION >

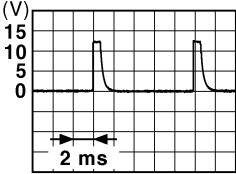


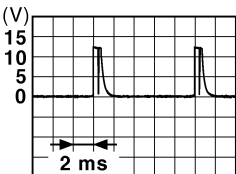
Terminal No. (Wire color)		Description		Condition	Value (Approx.)
+	-	Signal name	Input/ Output		
107 (LG)	Ground	Combination switch INPUT 1	Input	Combination switch (Wiper volume dial 4)	All switches OFF <div style="text-align: right;">  <p>1.4 V</p> </div>
					Turn signal switch LH <div style="text-align: right;">  <p>1.3 V</p> </div>
					Turn signal switch RH <div style="text-align: right;">  <p>1.3 V</p> </div>
					Front wiper switch LO <div style="text-align: right;">  <p>1.3 V</p> </div>
					Front washer switch ON <div style="text-align: right;">  <p>1.3 V</p> </div>

A  
B  
C  
D  
E  
F  
G  
H  
I  
J  
K  
L  
M  
N  
O  
P

WW

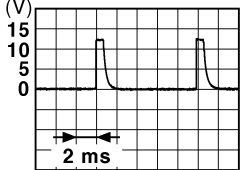

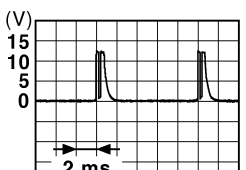
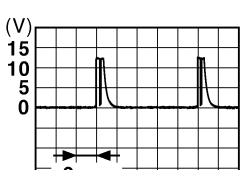
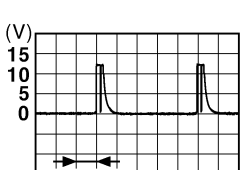
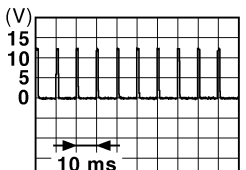
# BCM (BODY CONTROL MODULE)

## < ECU DIAGNOSIS INFORMATION >

Terminal No. (Wire color)		Description		Condition	Value (Approx.)	
		Signal name	Input/ Output			
+	-					
108 (R)	Ground	Combination switch INPUT 4	Input	Combination switch	All switches OFF (Wiper volume dial 4)	 <p style="text-align: right; margin-right: 20px;">1.4 V</p>
					Lighting switch AUTO (Wiper volume dial 4)	 <p style="text-align: right; margin-right: 20px;">1.3 V</p>
					Lighting switch 1ST (Wiper volume dial 4)	 <p style="text-align: right; margin-right: 20px;">1.3 V</p>
					Any of the conditions below with all switches OFF <ul style="list-style-type: none"> <li>• Wiper volume dial 1</li> <li>• Wiper volume dial 5</li> <li>• Wiper volume dial 6</li> </ul>	 <p style="text-align: right; margin-right: 20px;">1.3 V</p>

# BCM (BODY CONTROL MODULE)

## < ECU DIAGNOSIS INFORMATION >

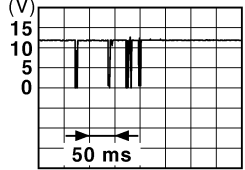
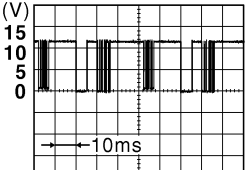
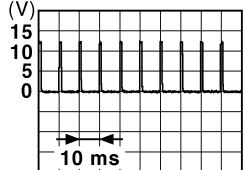
Terminal No. (Wire color)		Description		Condition	Value (Approx.)	
+	-	Signal name	Input/ Output			
109 (W)	Ground	Combination switch INPUT 2	Input	Combination switch (Wiper volume dial 4)	All switches OFF	 <p style="text-align: right;">JPMA0041GB</p> <p style="text-align: center;">1.4 V</p>
					Lighting switch PASS	 <p style="text-align: right;">JPMA0037GB</p> <p style="text-align: center;">1.3 V</p>
					Lighting switch 2ND	 <p style="text-align: right;">JPMA0036GB</p> <p style="text-align: center;">1.3 V</p>
					Front wiper switch INT/ AUTO	 <p style="text-align: right;">JPMA0038GB</p> <p style="text-align: center;">1.3 V</p>
					Front wiper switch HI	 <p style="text-align: right;">JPMA0040GB</p> <p style="text-align: center;">1.3 V</p>
					ON	0 V
110 (G)	Ground	Hazard switch	Input	Hazard switch	 <p style="text-align: right;">JPMA0012GB</p> <p style="text-align: center;">1.1 V</p>	
				OFF		

A  
B  
C  
D  
E  
F  
G  
H  
I  
J  
K  
M  
N  
O  
P

WW

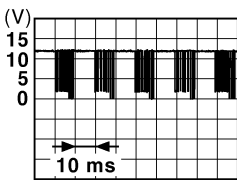
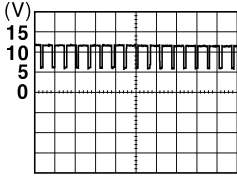
# BCM (BODY CONTROL MODULE)

## < ECU DIAGNOSIS INFORMATION >

Terminal No. (Wire color)		Description		Condition	Value (Approx.)	
+	-	Signal name	Input/ Output			
111*2 (Y)	Ground	Steering lock unit communication	Input/ Output	Steering lock	LOCK status	12 V
					LOCK or UNLOCK	 <p style="text-align: right; font-size: small;">JMKIA0066GB</p>
					For 15 seconds after UN- LOCK	12 V
				15 seconds or later after UNLOCK	0 V	
112 (BR)	Ground	Rain sensor serial link	Input/ Output	Ignition switch ON	 <p style="text-align: right; font-size: small;">JPMIA0156GB</p>	
					8.7 V	
113 (G)	Ground	Optical sensor	Input	Ignition switch ON	When bright outside of the vehicle	Close to 5 V
					When dark outside of the vehicle	Close to 0 V
114 (R)	Ground	Clutch interlock switch	Input	Clutch interlock switch	OFF (Clutch pedal is not depressed)	0 V
					ON (Clutch pedal is de- pressed)	Battery voltage
116 (SB)	Ground	Stop lamp switch 1	Input	—	Battery voltage	
118 (BR)	Ground	Stop lamp switch 2 (Without ICC)	Input	Stop lamp switch	OFF (Brake pedal is not depressed)	0 V
					ON (Brake pedal is de- pressed)	Battery voltage
		Stop lamp switch 2 (With ICC)		Stop lamp switch OFF (Brake pedal is not depressed) and ICC brake hold relay OFF	0 V	
				Stop lamp switch ON (Brake pedal is de- pressed) or ICC brake hold relay ON	Battery voltage	
119 (GR)	Ground	Driver side door lock assembly (Unlock sensor)	Input	Driver door	LOCK status (Unlock sensor switch OFF)	 <p style="text-align: right; font-size: small;">JPMIA0012GB</p>
					UNLOCK status (Unlock switch sensor ON)	1.1 V
					0 V	

# BCM (BODY CONTROL MODULE)

## < ECU DIAGNOSIS INFORMATION >

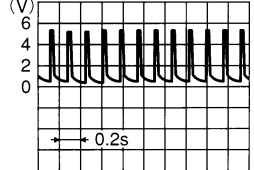
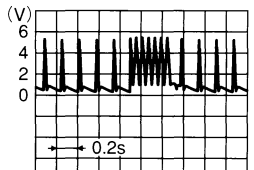
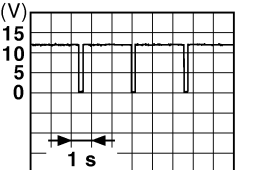
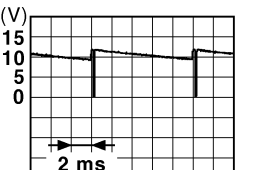
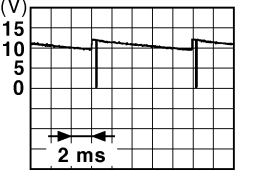
Terminal No. (Wire color)		Description		Condition	Value (Approx.)
		Signal name	Input/ Output		
+	-				
121 (SB)	Ground	Key slot switch	Input	When the Intelligent Key is inserted into key slot	12 V
				When the Intelligent Key is not inserted into key slot	0 V
123 (W)	Ground	IGN feedback	Input	Ignition switch	OFF or ACC
					ON
124 (BG)	Ground	Passenger door switch	Input	Passenger door switch	OFF (Door close)
					ON (Door open)
129 (BG)	Ground	Trunk lid opener cancel switch	Input	Trunk lid opener cancel switch	CANCEL
					ON
132 (LG)	Ground	Power window switch and R.H.T. control unit communication	Input/ Output	Ignition switch ON	 <p style="text-align: right; font-size: small;">JPMA0013GB</p>
				Ignition switch OFF or ACC	12 V
133 (Y)	Ground	Push-button ignition switch illumination	Output	Push-button ignition switch illumination	<p style="text-align: center;"><b>NOTE:</b> The pulse width of this wave is varied by the illumination brightening/dimming level.</p>  <p style="text-align: right; font-size: small;">JPMA0159GB</p>
				ON (Tail lamps ON)	<p style="text-align: center;"><b>NOTE:</b> The pulse width of this wave is varied by the illumination brightening/dimming level.</p>
134 (LG)	Ground	LOCK indicator lamp	Output	LOCK indicator lamp	OFF
				ON	0 V
137 (BG)	Ground	Receiver and sensor ground	Input	Ignition switch ON	0 V

A  
B  
C  
D  
E  
F  
G  
H  
I  
J  
K  
M  
N  
O  
P

WW

# BCM (BODY CONTROL MODULE)

## < ECU DIAGNOSIS INFORMATION >

Terminal No. (Wire color)		Description		Condition		Value (Approx.)
		Signal name	Input/ Output			
+	-					
138 (Y)	Ground	Receiver and sensor power supply	Output	Ignition switch	OFF	0 V
					ACC or ON	5.0 V
139 (L)	Ground	Tire pressure receiver communication	Input/ Output	Ignition switch ON	Standby state	 OCC3881D
					When receiving the signal from the transmitter	 OCC3880D
140 (GR)	Ground	Selector lever P/N position (A/T models)	Input	Selector lever	P or N position	12 V
					Except P and N positions	0 V
141 (R)	Ground	Security indicator lamp	Output	Security indicator lamp	ON	0 V
					Blinking	 JPMIA0014GB
142 (BR)	Ground	Combination switch OUTPUT 5	Output	Combination switch (Wiper volume dial 4)	All switches OFF	0 V
					Lighting switch 1ST	 JPMIA0031GB
Lighting switch HI						
Lighting switch 2ND						
				Turn signal switch RH		10.7 V
143 (V)	Ground	Combination switch OUTPUT 1	Output	Combination switch	All switches OFF (Wiper volume dial 4)	0 V
					Front wiper switch HI (Wiper volume dial 4)	 JPMIA0032GB
				Any of the conditions below with all switches OFF		
				<ul style="list-style-type: none"> <li>• Wiper volume dial 1</li> <li>• Wiper volume dial 2</li> <li>• Wiper volume dial 3</li> <li>• Wiper volume dial 6</li> <li>• Wiper volume dial 7</li> </ul>		

# BCM (BODY CONTROL MODULE)

## < ECU DIAGNOSIS INFORMATION >

Terminal No. (Wire color)		Description		Condition	Value (Approx.)		
		Signal name	Input/ Output				
+	-						
144 (G)	Ground	Combination switch OUTPUT 2	Output	Combination switch	All switches OFF (Wiper volume dial 4)	0 V	
					Front washer switch ON (Wiper volume dial 4)		
					Any of the conditions below with all switches OFF		10.7 V
145 (L)	Ground	Combination switch OUTPUT 3	Output	Combination switch (Wiper volume dial 4)	All switches OFF	0 V	
					Front wiper switch INT/ AUTO		
					Front wiper switch LO		10.7 V
					Lighting switch AUTO		
146 (SB)	Ground	Combination switch OUTPUT 4	Output	Combination switch (Wiper volume dial 4)	All switches OFF	0 V	
					Front fog lamp switch ON		
					Lighting switch 2ND		10.7 V
					Lighting switch PASS		
				Turn signal switch LH			
150 (R)	Ground	Driver door switch	Input	Driver door switch	OFF (Door close)		
					ON (Door open)	0 V	
151 (G)	Ground	Rear window defogger relay control	Output	Rear window defogger	Active	0 V	
					Not activated	Battery voltage	

\*1: Without steering lock unit

\*2: With steering lock unit

A  
B  
C  
D  
E  
F  
G  
H  
I  
J  
K  
L  
M  
N  
O  
P

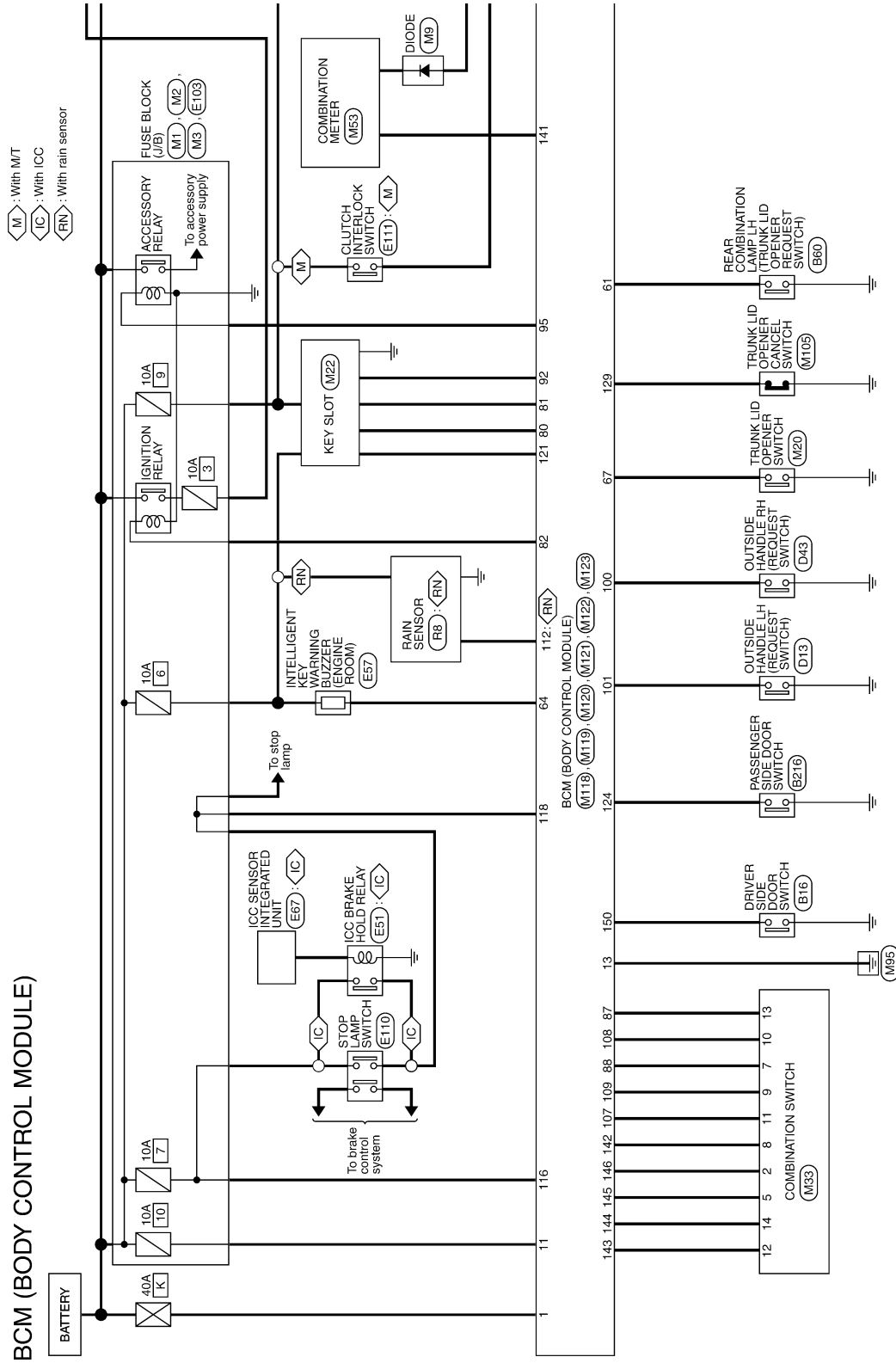
WW

# BCM (BODY CONTROL MODULE)

< ECU DIAGNOSIS INFORMATION >

## Wiring Diagram - BCM -

INFOID:000000006965602



2010/10/12

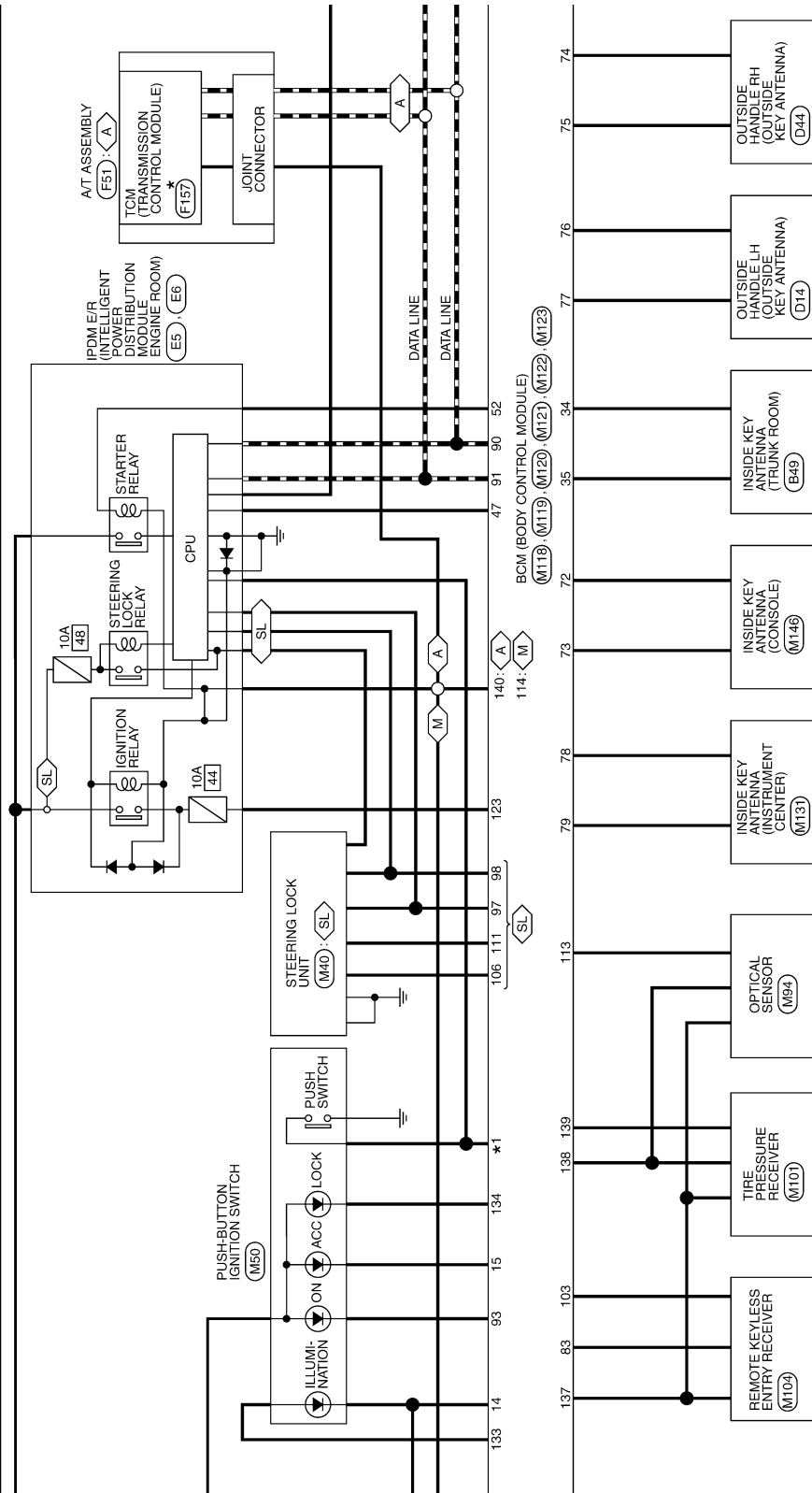
JCMWN0248GB



# BCM (BODY CONTROL MODULE)

< ECU DIAGNOSIS INFORMATION >

SL : With steering lock unit    \*1    89 : SL  
XS : Without steering lock unit    60 : XS  
A : With A/T      
M : With M/T



\*: This connector is not shown in "Harness Layout".

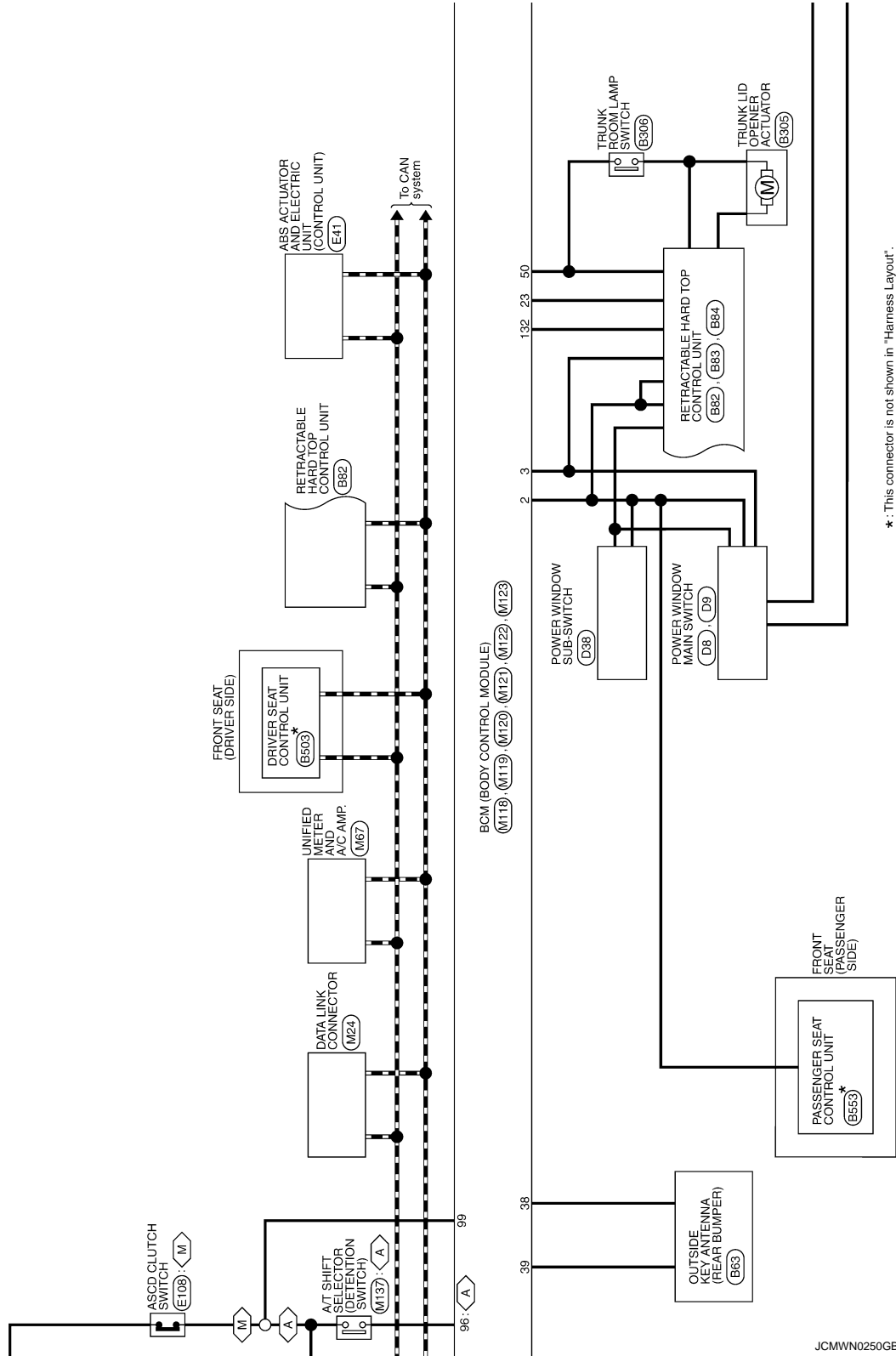
A  
B  
C  
D  
E  
F  
G  
H  
I  
J  
K  
L  
M  
N  
O  
P

WW

# BCM (BODY CONTROL MODULE)

< ECU DIAGNOSIS INFORMATION >

A : With A/T  
M : With M/T

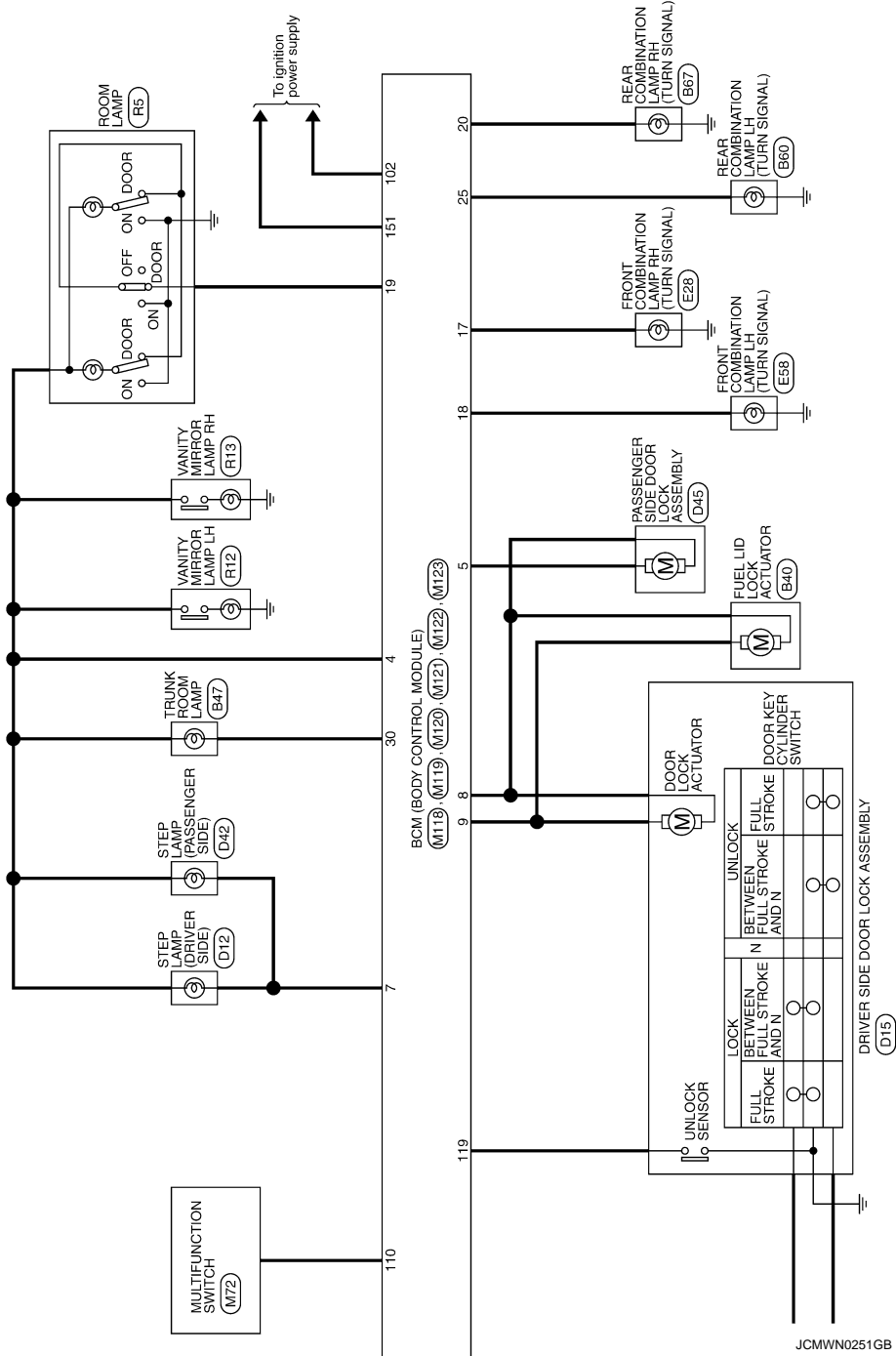


\*: This connector is not shown in "Harness Layout".

JCMWN0250GB

# BCM (BODY CONTROL MODULE)

< ECU DIAGNOSIS INFORMATION >



A  
B  
C  
D  
E  
F  
G  
H  
I  
J  
K  
L  
M  
N  
O  
P

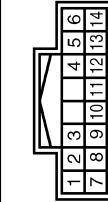
WW

# BCM (BODY CONTROL MODULE)

< ECU DIAGNOSIS INFORMATION >

## BCM (BODY CONTROL MODULE)

Connector No.	M33
Connector Name	COMBINATION SWITCH
Connector Type	TH167V-NH



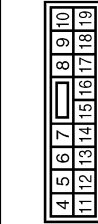
Terminal No.	Color of Wire	Signal Name [Specification]
1	P	FR WASHER (-) OUTPUT 4
2	SB	OUTPUT 3
5	L	GND
6	B	INPUT 3
7	EG	OUTPUT 5
8	ER	INPUT 2
9	W	INPUT 4
10	R	INPUT 1
11	LG	OUTPUT 1
12	V	INPUT 5
13	Y	INPUT 2
14	G	OUTPUT 2

Connector No.	M18
Connector Name	BCM (BODY CONTROL MODULE)
Connector Type	M03FB-LC



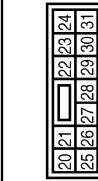
Terminal No.	Color of Wire	Signal Name [Specification]
1	W	BAT (F/L)
2	Y	POWER WINDOW POWER SUPPLY (BAT)
3	EG	POWER WINDOW POWER SUPPLY (RAP)

Connector No.	M119
Connector Name	BCM (BODY CONTROL MODULE)
Connector Type	NS16FW-CS



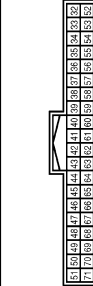
Terminal No.	Color of Wire	Signal Name [Specification]
4	LG	INTERIOR ROOM LAMP POWER SUPPLY
5	P	PASSENGER DOOR UNLOCK OUTPUT
7	SB	STEP LAMP
8	V	ALL DOOR FUEL LID LOCK OUTPUT
9	G	DRIVER DOOR FUEL LID UNLOCK OUTPUT
11	GR	BAT (FUSE)
13	B	GND
14	W	PUSH BUTTON IGNITION SW ILL GND
15	EG	ACC IND.
17	BR	TURN SIGNAL RH (FRONT)
18	EG	TURN SIGNAL LH (FRONT)
19	V	ROOM LAMP TIMER CONTROL

Connector No.	M120
Connector Name	BCM (BODY CONTROL MODULE)
Connector Type	NS12FW-CS



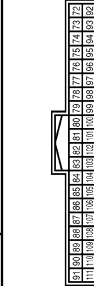
Terminal No.	Color of Wire	Signal Name [Specification]
20	V	TURN SIGNAL RH (REAR)
23	Y	TRUNK LID OPEN OUTPUT
25	Y	TURN SIGNAL LH (REAR)
30	P	TRUNK ROOM LAMP

Connector No.	M121
Connector Name	BCM (BODY CONTROL MODULE)
Connector Type	TH40FGY-NH



Terminal No.	Color of Wire	Signal Name [Specification]
34	SB	TRUNK ROOM ANT-
35	V	TRUNK ROOM ANT+
38	B	REAR BUMPER ANT-
39	W	REAR BUMPER ANT+
47	Y	IGN RELAY (BDM E/P) CONT
50	G	TRUNK ROOM LAMP SW
52	BR	STARTER RELAY CONT
60	BR	PUSH SW
61	SB	TRUNK LID OPENER REQUEST SW
64	G	I-KEY WARN BUZZER (ENG ROOM)
67	GR	TRUNK LID OPENER SW

Connector No.	M122
Connector Name	BCM (BODY CONTROL MODULE)
Connector Type	TH40FB-NH



Terminal No.	Color of Wire	Signal Name [Specification]
72	R	ROOM ANT 2-
73	G	ROOM ANT 2+
74	SB	PASSENGER DOOR ANT-
75	BR	PASSENGER DOOR ANT+
76	V	DRIVER DOOR ANT-
77	LG	DRIVER DOOR ANT+
78	Y	ROOM ANT 1-
79	BR	ROOM ANT 1+
80	GR	NATS ANTENNA AMP
81	W	NATS ANTENNA AMP
82	R	IGN RELAY (E/B) CONT

83	Y	KEYLESS ENTRY RECEIVER COMM
87	Y	COMBI SW INPUT 5
88	EG	COMBI SW INPUT 3
89	BR	PUSH SW
90	P	CAN-L
91	L	CAN-H
92	LG	KEY SLOT ILL
93	V	ON IND
95	EG	ACC RELAY CONT
96	GR	A/T SHIFT SELECTOR POWER SUPPLY
97	L	S/L CONDITION 1
98	SB	S/L CONDITION 2
99	R	ASCD CLUTCH SW (With M/T)
99	R	SHIFT P (With A/T)
100	Y	PASSENGER DOOR REQUEST SW
101	P	DRIVER DOOR REQUEST SW
103	LG	BLOWER FAN MOTOR RELAY CONT
103	LG	KEYLESS ENTRY RECEIVER POWER SUPPLY
106	W	S/L UNIT POWER SUPPLY
107	LG	COMBI SW INPUT 1
108	R	COMBI SW INPUT 4
109	W	COMBI SW INPUT 2
110	G	HAZARD SW
111	Y	S/L UNIT COMM

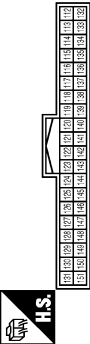
# BCM (BODY CONTROL MODULE)

< ECU DIAGNOSIS INFORMATION >

A  
B  
C  
D  
E  
F  
G  
H  
I  
J  
K  
M  
N  
O  
P

**BCM (BODY CONTROL MODULE)**

Connector No.	M123
Connector Name	BCM (BODY CONTROL MODULE)
Connector Type	TH40FG-1M



Terminal No.	Color of Wire	Signal Name [Specification]
112	BR	RAIN SENSOR SERIAL LINK
113	G	OPTICAL SENSOR
114	R	CLUTCH INTERLOCK SW
116	SB	STOP LAMP SW 1
118	BR	STOP LAMP SW 2
119	GR	DR DOOR UNLOCK SENSOR
121	SB	KEY SLOT SW
123	W	IGN P/B
124	BG	PASSENGER DOOR SW
129	BG	TRUNK LID OPENER CANCEL SW
132	LG	P/W SW & RRH C/U COMM
133	Y	PUSH-BUTTON IGNITION SW ILL POWER
134	LG	LOCK IND
137	BG	RECEIVER / SENSOR GND
138	Y	RECEIVER / SENSOR POWER SUPPLY
139	L	TIRE PRESSURE RECEIVER COMM
140	GR	SHIFT N/P
141	R	SECURITY INDICATOR LAMP
142	BR	COMBI SW OUTPUT 5
143	V	COMBI SW OUTPUT 1
144	G	COMBI SW OUTPUT 2
145	L	COMBI SW OUTPUT 3
146	SB	COMBI SW OUTPUT 4
150	R	DRIVER DOOR SW
151	G	REAR WINDOW DEFOGGER RELAY CONT

WW

JCMWN0253GB

INFOID:000000006965603

## Fail-safe

### FAIL-SAFE CONTROL BY DTC

BCM performs fail-safe control when any DTC are detected.

## BCM (BODY CONTROL MODULE)

### < ECU DIAGNOSIS INFORMATION >

Display contents of CONSULT	Fail-safe	Cancellation
B2013: ID DISCORD BCM-S/L	Inhibit engine cranking	Erase DTC
B2014: CHAIN OF S/L-BCM	Inhibit engine cranking	Erase DTC
B2190: NATS ANTENNA AMP	Inhibit engine cranking	Erase DTC
B2191: DIFFERENCE OF KEY	Inhibit engine cranking	Erase DTC
B2192: ID DISCORD BCM-ECM	Inhibit engine cranking	Erase DTC
B2193: CHAIN OF BCM-ECM	Inhibit engine cranking	Erase DTC
B2195: ANTI-SCANNING	Inhibit engine cranking	Ignition switch ON → OFF
B2557: VEHICLE SPEED	Inhibit steering lock	When normal vehicle speed signals are received from ABS actuator and electric unit (control unit) for 500 ms
B2560: STARTER CONT RELAY	Inhibit engine cranking	500 ms after the following CAN signal communication status becomes consistent <ul style="list-style-type: none"> <li>• Starter control relay signal</li> <li>• Starter relay status signal</li> </ul>
B2601: SHIFT POSITION	Inhibit steering lock	500 ms after the following signal reception status becomes consistent <ul style="list-style-type: none"> <li>• Selector lever P position switch signal</li> <li>• P range signal (CAN)</li> </ul>
B2602: SHIFT POSITION	Inhibit steering lock	5 seconds after the following BCM recognition conditions are fulfilled <ul style="list-style-type: none"> <li>• Ignition switch is in the ON position</li> <li>• Selector lever P position switch signal: Except P position (12 V)</li> <li>• Vehicle speed: 4 km/h (2.5 MPH) or more</li> </ul>
B2603: SHIFT POSI STATUS	Inhibit steering lock	500 ms after the following BCM recognition conditions are fulfilled <ul style="list-style-type: none"> <li>• Ignition switch is in the ON position</li> <li>• Selector lever P position switch signal: Except P position (12 V)</li> <li>• Selector lever P/N position signal: Except P and N positions (0 V)</li> </ul>
B2604: PNP/CLUTCH SW	Inhibit steering lock	500 ms after any of the following BCM recognition conditions are fulfilled <ul style="list-style-type: none"> <li>• Status 1               <ul style="list-style-type: none"> <li>- Ignition switch is in the ON position</li> <li>- Selector lever P/N position signal: P and N position (12 V)</li> <li>- P range signal or N range signal (CAN): ON</li> </ul> </li> <li>• Status 2               <ul style="list-style-type: none"> <li>- Ignition switch is in the ON position</li> <li>- Selector lever P/N position signal: Except P and N positions (0 V)</li> <li>- P range signal and N range signal (CAN): OFF</li> </ul> </li> </ul>
B2605: PNP/CLUTCH SW	Inhibit steering lock	500 ms after any of the following BCM recognition conditions are fulfilled <ul style="list-style-type: none"> <li>• Status 1               <ul style="list-style-type: none"> <li>- Ignition switch is in the ON position</li> <li>- Selector lever P/N position signal: Except P and N positions (0 V)</li> <li>- Interlock/PNP switch signal (CAN): OFF</li> </ul> </li> <li>• Status 2               <ul style="list-style-type: none"> <li>- Ignition switch is in the ON position</li> <li>- Selector lever P/N position signal: P or N position (12 V)</li> <li>- PNP switch signal (CAN): ON</li> </ul> </li> </ul>
B2606: S/L RELAY	Inhibit engine cranking	500 ms after the following CAN signal communication status becomes consistent <ul style="list-style-type: none"> <li>• Steering lock relay signal (Request signal)</li> <li>• Steering lock relay signal (Condition signal)</li> </ul>
B2607: S/L RELAY	Inhibit engine cranking	500 ms after the following CAN signal communication status has become consistent <ul style="list-style-type: none"> <li>• Steering lock relay signal (Request signal)</li> <li>• Steering lock relay signal (Condition signal)</li> </ul>

## BCM (BODY CONTROL MODULE)

### < ECU DIAGNOSIS INFORMATION >

Display contents of CONSULT	Fail-safe	Cancellation
B2608: STARTER RELAY	Inhibit engine cranking	500 ms after the following signal communication status becomes consistent <ul style="list-style-type: none"> <li>• Starter motor relay control signal</li> <li>• Starter relay status signal (CAN)</li> </ul>
B2609: S/L STATUS	<ul style="list-style-type: none"> <li>• Inhibit engine cranking</li> <li>• Inhibit steering lock</li> </ul>	When the following steering lock conditions agree <ul style="list-style-type: none"> <li>• BCM steering lock control status</li> <li>• Steering lock condition No. 1 signal status</li> <li>• Steering lock condition No. 2 signal status</li> </ul>
B260A: IGNITION RELAY	Inhibit engine cranking	500 ms after the following conditions are fulfilled <ul style="list-style-type: none"> <li>• IGN relay (IPDM E/R) control signal: OFF (12 V)</li> <li>• Ignition ON signal (CAN to IPDM E/R): OFF (Request signal)</li> <li>• Ignition ON signal (CAN from IPDM E/R): OFF (Condition signal)</li> </ul>
B260F: ENG STATE SIG LOST	Maintains the power supply position attained at the time of DTC detection	When any of the following conditions are fulfilled <ul style="list-style-type: none"> <li>• Power position changes to ACC</li> <li>• Receives engine status signal (CAN)</li> </ul>
B2612: S/L STATUS	<ul style="list-style-type: none"> <li>• Inhibit engine cranking</li> <li>• Inhibit steering lock</li> </ul>	When any of the following conditions are fulfilled <ul style="list-style-type: none"> <li>• Steering lock unit status signal (CAN) is received normally</li> <li>• The BCM steering lock control status matches the steering lock status recognized by the steering lock unit status signal (CAN from IPDM E/R)</li> </ul>
B2617: BCM	Inhibit engine cranking	1 second after the starter motor relay control inside BCM becomes normal
B2618: BCM	Inhibit engine cranking	1 second after the ignition relay (IPDM E/R) control inside BCM becomes normal
B2619: BCM	Inhibit engine cranking	1 second after the steering lock unit power supply output control inside BCM becomes normal
B261E: VEHICLE TYPE	Inhibit engine cranking	BCM initialization
B26E8: CLUTCH SW	Inhibit engine cranking	When any of the following BCM recognition conditions are fulfilled <ul style="list-style-type: none"> <li>• Status 1                             <ul style="list-style-type: none"> <li>- Clutch switch signal (CAN from ECM): ON</li> <li>- Clutch interlock switch signal: OFF (0 V)</li> </ul> </li> <li>• Status 2                             <ul style="list-style-type: none"> <li>- Clutch switch signal (CAN from ECM): OFF</li> <li>- Clutch interlock switch signal: ON (Battery voltage)</li> </ul> </li> </ul>
B26E9: S/L STATUS	<ul style="list-style-type: none"> <li>• Inhibit engine cranking</li> <li>• Inhibit steering lock</li> </ul>	When BCM transmits the LOCK request signal to steering lock unit, and receives LOCK response signal from steering lock unit, the following conditions are fulfilled <ul style="list-style-type: none"> <li>• Steering condition No. 1 signal: LOCK (0 V)</li> <li>• Steering condition No. 2 signal: LOCK (12 V)</li> </ul>

### DTC Inspection Priority Chart

INFOID:000000006965604

If some DTCs are displayed at the same time, perform inspections one by one based on the following priority chart.

Priority	DTC
1	B2562: LOW VOLTAGE
2	<ul style="list-style-type: none"> <li>• U1000: CAN COMM</li> <li>• U1010: CONTROL UNIT (CAN)</li> </ul>
3	<ul style="list-style-type: none"> <li>• B2190: NATS ANTENNA AMP</li> <li>• B2191: DIFFERENCE OF KEY</li> <li>• B2192: ID DISCORD BCM-ECM</li> <li>• B2193: CHAIN OF BCM-ECM</li> <li>• B2195: ANTI-SCANNING</li> </ul>

# BCM (BODY CONTROL MODULE)

## < ECU DIAGNOSIS INFORMATION >

Priority	DTC
4	<ul style="list-style-type: none"> <li>• B2013: ID DISCORD BCM-S/L</li> <li>• B2014: CHAIN OF S/L-BCM</li> <li>• B2553: IGNITION RELAY</li> <li>• B2555: STOP LAMP</li> <li>• B2556: PUSH-BTN IGN SW</li> <li>• B2557: VEHICLE SPEED</li> <li>• B2560: STARTER CONT RELAY</li> <li>• B2601: SHIFT POSITION</li> <li>• B2602: SHIFT POSITION</li> <li>• B2603: SHIFT POSI STATUS</li> <li>• B2604: PNP/CLUTCH SW</li> <li>• B2605: PNP/CLUTCH SW</li> <li>• B2606: S/L RELAY</li> <li>• B2607: S/L RELAY</li> <li>• B2608: STARTER RELAY</li> <li>• B2609: S/L STATUS</li> <li>• B260A: IGNITION RELAY</li> <li>• B260B: STEERING LOCK UNIT</li> <li>• B260C: STEERING LOCK UNIT</li> <li>• B260D: STEERING LOCK UNIT</li> <li>• B260F: ENG STATE SIG LOST</li> <li>• B2612: S/L STATUS</li> <li>• B2614: BCM</li> <li>• B2615: BCM</li> <li>• B2616: BCM</li> <li>• B2617: BCMC</li> <li>• B2618: BCM</li> <li>• B2619: BCM</li> <li>• B261A: PUSH-BTN IGN SW</li> <li>• B261E: VEHICLE TYPE</li> <li>• B26E8: CLUTCH SW</li> <li>• B26E9: S/L STATUS</li> <li>• B26EA: KEY REGISTRATION</li> <li>• C1729: VHCL SPEED SIG ERR</li> <li>• U0415: VEHICLE SPEED</li> </ul>
5	<ul style="list-style-type: none"> <li>• C1704: LOW PRESSURE FL</li> <li>• C1705: LOW PRESSURE FR</li> <li>• C1706: LOW PRESSURE RR</li> <li>• C1707: LOW PRESSURE RL</li> <li>• C1708: [NO DATA] FL</li> <li>• C1709: [NO DATA] FR</li> <li>• C1710: [NO DATA] RR</li> <li>• C1711: [NO DATA] RL</li> <li>• C1716: [PRESSDATA ERR] FL</li> <li>• C1717: [PRESSDATA ERR] FR</li> <li>• C1718: [PRESSDATA ERR] RR</li> <li>• C1719: [PRESSDATA ERR] RL</li> <li>• C1734: CONTROL UNIT</li> </ul>
6	<ul style="list-style-type: none"> <li>• B2621: INSIDE ANTENNA</li> <li>• B2622: INSIDE ANTENNA</li> <li>• B2623: INSIDE ANTENNA</li> </ul>

### DTC Index

INFOID:000000006965605

#### NOTE:

The details of time display are as follows.

- CRNT: A malfunction is detected now.
- PAST: A malfunction was detected in the past.

IGN counter is displayed on Freeze Frame Data. For details of Freeze Frame Data, refer to [BCS-16. "COMMON ITEM : CONSULT-III Function \(BCM - COMMON ITEM\)".](#)



## BCM (BODY CONTROL MODULE)

< ECU DIAGNOSIS INFORMATION >

CONSULT display	Fail-safe	Freeze Frame Data •Vehicle Speed •Odo/Trip Meter •Vehicle condition	Intelligent Key warning lamp ON	Tire pressure monitor warning lamp ON	Refer- ence page
No DTC is detected. further testing may be required.	—	—	—	—	—
U1000: CAN COMM	—	—	—	—	<a href="#">BCS-35</a>
U1010: CONTROL UNIT (CAN)	—	—	—	—	<a href="#">BCS-36</a>
U0415: VEHICLE SPEED	—	—	—	—	<a href="#">BCS-37</a>
B2013: ID DISCORD BCM-S/L*	×	×	—	—	<a href="#">SEC-49</a>
B2014: CHAIN OF S/L-BCM*	×	×	—	—	<a href="#">SEC-50</a>
B2190: NATS ANTENNA AMP	×	—	—	—	<a href="#">SEC-41</a>
B2191: DIFFERENCE OF KEY	×	—	—	—	<a href="#">SEC-44</a>
B2192: ID DISCORD BCM-ECM	×	—	—	—	<a href="#">SEC-45</a>
B2193: CHAIN OF BCM-ECM	×	—	—	—	<a href="#">SEC-47</a>
B2195: ANTI-SCANNING	×	—	—	—	<a href="#">SEC-48</a>
B2553: IGNITION RELAY	—	×	—	—	<a href="#">PCS-49</a>
B2555: STOP LAMP	—	×	—	—	<a href="#">SEC-53</a>
B2556: PUSH-BTN IGN SW	—	×	×	—	<a href="#">SEC-55</a>
B2557: VEHICLE SPEED	×	×	×	—	<a href="#">SEC-57</a>
B2560: STARTER CONT RELAY	×	×	×	—	<a href="#">SEC-58</a>
B2562: LOW VOLTAGE	—	×	—	—	<a href="#">BCS-38</a>
B2601: SHIFT POSITION	×	×	×	—	<a href="#">SEC-59</a>
B2602: SHIFT POSITION	×	×	×	—	<a href="#">SEC-62</a>
B2603: SHIFT POSI STATUS	×	×	×	—	<a href="#">SEC-64</a>
B2604: PNP/CLUTCH SW	×	×	×	—	<a href="#">SEC-67</a>
B2605: PNP/CLUTCH SW	×	×	×	—	<a href="#">SEC-69</a>
B2606: S/L RELAY*	×	×	×	—	<a href="#">SEC-71</a>
B2607: S/L RELAY*	×	×	×	—	<a href="#">SEC-72</a>
B2608: STARTER RELAY	×	×	×	—	<a href="#">SEC-74</a>
B2609: S/L STATUS*	×	×	×	—	<a href="#">SEC-76</a>
B260A: IGNITION RELAY	×	×	×	—	<a href="#">PCS-51</a>
B260B: STEERING LOCK UNIT*	—	×	×	—	<a href="#">SEC-80</a>
B260C: STEERING LOCK UNIT*	—	×	×	—	<a href="#">SEC-81</a>
B260D: STEERING LOCK UNIT*	—	×	×	—	<a href="#">SEC-82</a>
B260F: ENG STATE SIG LOST	×	×	×	—	<a href="#">SEC-83</a>
B2612: S/L STATUS*	×	×	×	—	<a href="#">SEC-88</a>
B2614: BCM	—	×	×	—	<a href="#">PCS-53</a>
B2615: BCM	—	×	×	—	<a href="#">PCS-56</a>
B2616: BCM	—	×	×	—	<a href="#">PCS-59</a>
B2617: BCM	×	×	×	—	<a href="#">SEC-92</a>
B2618: BCM	×	×	×	—	<a href="#">PCS-62</a>
B2619: BCM*	×	×	×	—	<a href="#">SEC-94</a>
B261A: PUSH-BTN IGN SW	—	×	×	—	<a href="#">PCS-63</a>
B261E: VEHICLE TYPE	×	×	× (Turn ON for 15 seconds)	—	<a href="#">SEC-95</a>

A  
B  
C  
D  
E  
F  
G  
H  
I  
J  
K  
M  
N  
O  
P

WW

## BCM (BODY CONTROL MODULE)

### < ECU DIAGNOSIS INFORMATION >

CONSULT display	Fail-safe	Freeze Frame Data •Vehicle Speed •Odo/Trip Meter •Vehicle condition	Intelligent Key warning lamp ON	Tire pressure monitor warning lamp ON	Refer- ence page
B2621: INSIDE ANTENNA	—	×	—	—	<a href="#">DLK-62</a>
B2622: INSIDE ANTENNA	—	×	—	—	<a href="#">DLK-64</a>
B2623: INSIDE ANTENNA	—	×	—	—	<a href="#">DLK-66</a>
B26E8: CLUTCH SW	×	×	×	—	<a href="#">SEC-84</a>
B26E9: S/L STATUS*	×	×	× (Turn ON for 15 seconds)	—	<a href="#">SEC-86</a>
B26EA: KEY REGISTRATION	—	×	× (Turn ON for 15 seconds)	—	<a href="#">SEC-87</a>
C1704: LOW PRESSURE FL	—	—	—	×	<a href="#">WT-24</a>
C1705: LOW PRESSURE FR	—	—	—	×	
C1706: LOW PRESSURE RR	—	—	—	×	
C1707: LOW PRESSURE RL	—	—	—	×	
C1708: [NO DATA] FL	—	—	—	×	<a href="#">WT-26</a>
C1709: [NO DATA] FR	—	—	—	×	
C1710: [NO DATA] RR	—	—	—	×	
C1711: [NO DATA] RL	—	—	—	×	
C1716: [PRESSDATA ERR] FL	—	—	—	×	<a href="#">WT-29</a>
C1717: [PRESSDATA ERR] FR	—	—	—	×	
C1718: [PRESSDATA ERR] RR	—	—	—	×	
C1719: [PRESSDATA ERR] RL	—	—	—	×	
C1729: VHCL SPEED SIG ERR	—	—	—	×	<a href="#">WT-30</a>
C1734: CONTROL UNIT	—	—	—	×	<a href="#">WT-31</a>

\*: For models without steering lock unit, this DTC is not applied.

# IPDM E/R (INTELLIGENT POWER DISTRIBUTION MODULE ENGINE ROOM)

< ECU DIAGNOSIS INFORMATION >

## IPDM E/R (INTELLIGENT POWER DISTRIBUTION MODULE ENGINE ROOM)

Reference Value

INFOID:000000006939152

VALUES ON THE DIAGNOSIS TOOL

Monitor Item	Condition		Value/Status
RAD FAN REQ	Engine idle speed	Changes depending on engine coolant temperature, air conditioner operation status, vehicle speed, etc.	0 - 100 %
AC COMP REQ	Engine running	A/C switch OFF	Off
		A/C switch ON (Compressor is operating)	On
TAIL&CLR REQ	Lighting switch OFF		Off
	Lighting switch 1ST, 2ND, HI or AUTO (Light is illuminated)		On
HL LO REQ	Lighting switch OFF		Off
	Lighting switch 2ND HI or AUTO (Light is illuminated)		On
HL HI REQ	Lighting switch OFF		Off
	Lighting switch HI		On
FR FOG REQ	Lighting switch 2ND or AUTO (Light is illuminated)	Front fog lamp switch OFF	Off
		<ul style="list-style-type: none"> <li>• Front fog lamp switch ON</li> <li>• Daytime running light activated (Only for Canada)</li> </ul>	On
FR WIP REQ	Ignition switch ON	Front wiper switch OFF	Stop
		Front wiper switch INT	1LOW
		Front wiper switch LO	Low
		Front wiper switch HI	Hi
WIP AUTO STOP	Ignition switch ON	Front wiper stop position	STOP P
		Any position other than front wiper stop position	ACT P
WIP PROT	Ignition switch ON	Front wiper operates normally	Off
		Front wiper stops at fail-safe operation	BLOCK
IGN RLY1 -REQ	Ignition switch OFF or ACC		Off
	Ignition switch ON		On
IGN RLY	Ignition switch OFF or ACC		Off
	Ignition switch ON		On
PUSH SW	Release the push-button ignition switch		Off
	Press the push-button ignition switch		On
INTER/NP SW	Ignition switch ON	Selector lever in any position other than P or N (A/T models)	Off
		Release clutch pedal (M/T models)	
	Ignition switch ON	Selector lever in P or N position (A/T models)	On
		Depress clutch pedal (M/T models)	
ST RLY CONT	Ignition switch ON		Off
	At engine cranking		On

A

B

C

D

E

F

G

H

I

J

K

WW

M

N

O

P

# IPDM E/R (INTELLIGENT POWER DISTRIBUTION MODULE ENGINE ROOM)

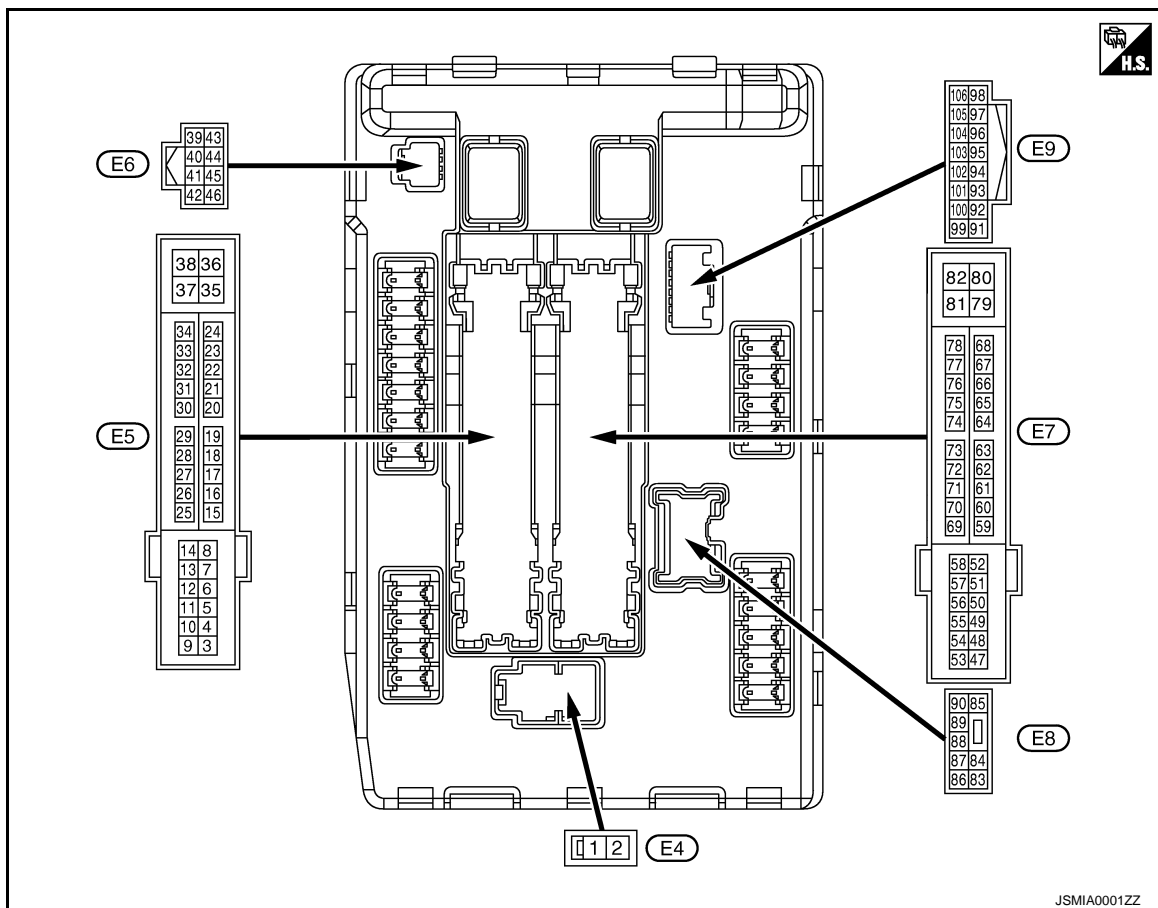
## < ECU DIAGNOSIS INFORMATION >

Monitor Item	Condition	Value/Status
IHBT RLY -REQ	Ignition switch ON	Off
	At engine cranking	On
ST/INHI RLY	Ignition switch ON	Off
	At engine cranking	INHI ON → ST ON
	The status of starter relay or starter control relay cannot be recognized by the battery voltage malfunction, etc. when the starter relay is ON and the starter control relay is OFF	UNKWN
DETENT SW	Ignition switch ON <ul style="list-style-type: none"> <li>Press the selector button with selector lever in P position</li> <li>Selector lever in any position other than P</li> </ul>	Off
	Release the selector button with selector lever in P position <b>NOTE:</b> Fixed On for M/T models	On
S/L RLY -REQ <b>NOTE:</b> For models without steering lock unit, this item is not monitored.	None of the conditions below are present	Off
	<ul style="list-style-type: none"> <li>Open the driver door after the ignition switch is turned OFF (for a few seconds)</li> <li>Press the push-button ignition switch when the steering lock is activated</li> <li>Depress the clutch pedal when the steering lock is activated</li> </ul>	On
S/L STATE <b>NOTE:</b> For models without steering lock unit, this item is not monitored.	Steering lock is activated	LOCK
	Steering lock is deactivated	UNLOCK
	[DTC: B210A] is detected	UNKWN
DTRL REQ	<b>NOTE:</b> The item is indicated, but not monitored.	Off
OIL P SW	Ignition switch OFF, ACC or engine running	Open
	Ignition switch ON	Close
HOOD SW	Close the hood	Off
	Open the hood	On
HL WASHER REQ	<b>NOTE:</b> The item is indicated, but not monitored.	Off
THFT HRN REQ	Not operation	Off
	<ul style="list-style-type: none"> <li>Panic alarm is activated</li> <li>Horn is activated with VEHICLE SECURITY (THEFT WARNING) SYSTEM</li> </ul>	On
HORN CHIRP	Not operating	Off
	Door locking with Intelligent Key (horn chirp mode)	On
CRNRNG LMP REQ	<b>NOTE:</b> The item is indicated, but not monitored.	Off

# IPDM E/R (INTELLIGENT POWER DISTRIBUTION MODULE ENGINE ROOM)

< ECU DIAGNOSIS INFORMATION >

## TERMINAL LAYOUT



## PHYSICAL VALUES

Terminal No. (Wire color)		Description		Condition		Value (Approx.)
+	-	Signal name	Input/ Output			
1 (W)	Ground	Battery power supply	Input	Ignition switch OFF		Battery voltage
2 (L)	Ground	Battery power supply	Input	Ignition switch OFF		Battery voltage
4 (V)	Ground	Front wiper LO	Output	Ignition switch OFF	Front wiper switch OFF	0 V
				Ignition switch ON	Front wiper switch LO	Battery voltage
5 (L)	Ground	Front wiper HI	Output	Ignition switch OFF	Front wiper switch OFF	0 V
				Ignition switch ON	Front wiper switch HI	Battery voltage
6*5 (SB)	Ground	Daytime running light relay	Input	Ignition switch OFF		Battery voltage
7 (R)	Ground	Tail, license plate lamps & illuminations	Output	Ignition switch OFF	Lighting switch OFF	0 V
				Ignition switch ON	Lighting switch 1ST	Battery voltage
11*4 (BR)	Ground	Steering lock unit power supply	Output	Ignition switch OFF	A few seconds after opening the driver door	Battery voltage
				Ignition switch LOCK	Press the push-button ignition switch	Battery voltage
				Ignition switch ACC or ON		0 V

# IPDM E/R (INTELLIGENT POWER DISTRIBUTION MODULE ENGINE ROOM)

## < ECU DIAGNOSIS INFORMATION >

Terminal No. (Wire color)		Description		Condition	Value (Approx.)	
+	-	Signal name	Input/ Output			
12 (B/W)	Ground	Ground	—	Ignition switch ON	0 V	
13 (Y)	Ground	Fuel pump power supply	Output	Approximately 1 second or more after turning the ignition switch ON	0 V	
				<ul style="list-style-type: none"> <li>• Approximately 1 second after turning the ignition switch ON</li> <li>• Engine running</li> </ul>	Battery voltage	
16 (LG)	Ground	Front wiper auto stop	Input	Ignition switch ON	Front wiper stop position	0 V
					Any position other than front wiper stop position	Battery voltage
19 (W)	Ground	Ignition relay power supply	Output	Ignition switch OFF	0 V	
				Ignition switch ON	Battery voltage	
25 (G)	Ground	Ignition relay power supply	Output	Ignition switch OFF	0 V	
				Ignition switch ON	Battery voltage	
26*1 (R)	Ground	Ignition relay power supply	Output	Ignition switch OFF	0 V	
				Ignition switch ON	Battery voltage	
27 (BG)	Ground	Ignition relay monitor	Input	Ignition switch OFF or ACC	Battery voltage	
				Ignition switch ON	0 V	
28 (L)	Ground	Push-button ignition switch	Input	Press the push-button ignition switch	0 V	
				Release the push-button ignition switch	Battery voltage	
30 (GR)	Ground	Starter relay control	Input	A/T models	Selector lever in any position other than P or N (Ignition switch ON)	0 V
					Selector lever P or N (Ignition switch ON)	Battery voltage
				M/T models	Release the clutch pedal	0 V
					Depress the clutch pedal	Battery voltage
32*4 (V)	Ground	Steering lock unit condition-1	Input	Steering lock is activated	0 V	
				Steering lock is deactivated	Battery voltage	
33*4 (P)	Ground	Steering lock unit condition-2	Input	Steering lock is activated	Battery voltage	
				Steering lock is deactivated	0 V	
36 (G)	Ground	Battery power supply	Input	Ignition switch OFF	Battery voltage	
39 (P)	—	CAN-L	Input/ Output	—	—	
40 (L)	—	CAN-H	Input/ Output	—	—	
41 (B/W)	Ground	Ground	—	Ignition switch ON	0 V	
42 (Y)	Ground	Cooling fan relay control	Input	Ignition switch OFF or ACC	0 V	
				Ignition switch ON	0.7 V	
43*2 (SB)	Ground	A/T shift selector (Detention switch)	Input	Ignition switch ON	Press the selector button (selector lever P)	Battery voltage
					<ul style="list-style-type: none"> <li>• Selector lever in any position other than P</li> <li>• Release the selector button (selector lever P)</li> </ul>	0 V

# IPDM E/R (INTELLIGENT POWER DISTRIBUTION MODULE ENGINE ROOM)

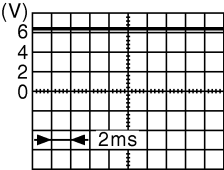
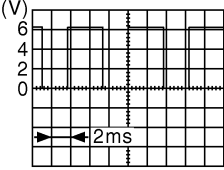
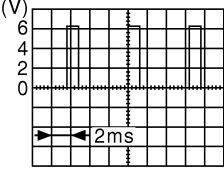
## < ECU DIAGNOSIS INFORMATION >

Terminal No. (Wire color)		Description		Condition	Value (Approx.)	
+	-	Signal name	Input/ Output			
44 (LG)	Ground	Horn relay control	Input	The horn is deactivated	Battery voltage	
				The horn is activated	0 V	
45 (G)	Ground	Anti theft horn relay control	Input	The horn is deactivated	Battery voltage	
				The horn is activated	0 V	
46 (W)	Ground	Starter relay control	Input	A/T models	Selector lever in any position other than P or N (Ignition switch ON)	0 V
					Selector lever P or N (Ignition switch ON)	Battery voltage
				M/T models	Release the clutch pedal	0 V
					Depress the clutch pedal	Battery voltage
48 (BR)	Ground	A/C relay power supply	Output	Engine running	A/C switch OFF	0 V
					A/C switch ON (A/C compressor is operating)	Battery voltage
49 (BG)	Ground	ECM relay power supply	Output	Ignition switch OFF (More than a few seconds after turning ignition switch OFF)	0 V	
				<ul style="list-style-type: none"> <li>Ignition switch ON</li> <li>Ignition switch OFF (For a few seconds after turning ignition switch OFF)</li> </ul>	Battery voltage	
51 (Y)	Ground	Ignition relay power supply	Output	Ignition switch OFF	0 V	
				Ignition switch ON	Battery voltage	
53 (W)	Ground	ECM relay power supply	Output	Ignition switch OFF (More than a few seconds after turning ignition switch OFF)	0 V	
				<ul style="list-style-type: none"> <li>Ignition switch ON</li> <li>Ignition switch OFF (For a few seconds after turning ignition switch OFF)</li> </ul>	Battery voltage	
54 (P)	Ground	Throttle control motor relay power supply	Output	Ignition switch OFF (More than a few seconds after turning ignition switch OFF)	0 V	
				<ul style="list-style-type: none"> <li>Ignition switch ON</li> <li>Ignition switch OFF (For a few seconds after turning ignition switch OFF)</li> </ul>	Battery voltage	
55 (SB)	Ground	ECM power supply	Output	Ignition switch OFF	Battery voltage	
56 (LG)	Ground	Ignition relay power supply	Output	Ignition switch OFF	0 V	
				Ignition switch ON	Battery voltage	
57 (G)	Ground	Ignition relay power supply	Output	Ignition switch OFF	0 V	
				Ignition switch ON	Battery voltage	
58*2 (GR)	Ground	Ignition relay power supply	Output	Ignition switch OFF	0 V	
				Ignition switch ON	Battery voltage	

A  
B  
C  
D  
E  
F  
G  
H  
I  
J  
K  
WW  
M  
N  
O  
P

# IPDM E/R (INTELLIGENT POWER DISTRIBUTION MODULE ENGINE ROOM)

## < ECU DIAGNOSIS INFORMATION >

Terminal No. (Wire color)		Description		Condition	Value (Approx.)
+	-	Signal name	Input/ Output		
69 (BR)	Ground	ECM relay control	Output	Ignition switch OFF (More than a few seconds after turning ignition switch OFF)	Battery voltage
				<ul style="list-style-type: none"> <li>Ignition switch ON</li> <li>Ignition switch OFF (For a few seconds after turning ignition switch OFF)</li> </ul>	0 - 1.5 V
70 (BG)	Ground	Throttle control motor relay control	Output	Ignition switch ON → OFF	0 - 1.0 V ↓ Battery voltage ↓ 0 V
				Ignition switch ON	0 - 1.0 V
73*3 (P)	Ground	Ignition relay power supply	Output	Ignition switch OFF	0 V
				Ignition switch ON	Battery voltage
74 (G)	Ground	Ignition relay power supply	Output	Ignition switch OFF	0 V
				Ignition switch ON	Battery voltage
75 (SB)	Ground	Oil pressure switch	Input	Ignition switch ON	0 V
				Engine stopped	Battery voltage
76 (Y)	Ground	Power generation command signal	Output	Ignition switch ON	 <p style="text-align: right;">JPMIA0001GB</p> <p style="text-align: center;">6.3 V</p>
				40% is set on "ACTIVE TEST", "ALTERNATOR DUTY" of "ENGINE"	 <p style="text-align: right;">JPMIA0002GB</p> <p style="text-align: center;">3.8 V</p>
				80% is set on "ACTIVE TEST", "ALTERNATOR DUTY" of "ENGINE"	 <p style="text-align: right;">JPMIA0003GB</p> <p style="text-align: center;">1.4 V</p>
77 (R)	Ground	Fuel pump relay control	Output	<ul style="list-style-type: none"> <li>Approximately 1 second after turning the ignition switch ON</li> <li>Engine running</li> </ul>	0 - 1.0 V
				Approximately 1 second or more after turning the ignition switch ON	Battery voltage
80 (W)	Ground	Starter motor	Output	At engine cranking	Battery voltage



# IPDM E/R (INTELLIGENT POWER DISTRIBUTION MODULE ENGINE ROOM)

## < ECU DIAGNOSIS INFORMATION >

Terminal No. (Wire color)		Description		Condition		Value (Approx.)
+	-	Signal name	Input/ Output			
83 (R)	Ground	Headlamp LO (RH)	Output	Ignition switch ON	Lighting switch OFF	0 V
					Lighting switch 2ND	Battery voltage
84 (P)	Ground	Headlamp LO (LH)	Output	Ignition switch ON	Lighting switch OFF	0 V
					Lighting switch 2ND	Battery voltage
86 (W)	Ground	Front fog lamp (RH)	Output	Lighting switch 2ND	Front fog lamp switch OFF	0 V
					<ul style="list-style-type: none"> <li>Front fog lamp switch ON</li> <li>Daytime running light activated (Only for Canada)</li> </ul>	Battery voltage
87 (L)	Ground	Front fog lamp (LH)	Output	Lighting switch 2ND	Front fog lamp switch OFF	0 V
					<ul style="list-style-type: none"> <li>Front fog lamp switch ON</li> <li>Daytime running light activated (Only for Canada)</li> </ul>	Battery voltage
88 (G)	Ground	Washer pump power supply	Output	Ignition switch ON		Battery voltage
89 (BR)	Ground	Headlamp HI (RH)	Output	Ignition switch ON	Lighting switch OFF	0 V
					<ul style="list-style-type: none"> <li>Lighting switch HI</li> <li>Lighting switch PASS</li> </ul>	Battery voltage
90 (LG)	Ground	Headlamp HI (LH)	Output	Ignition switch ON	Lighting switch OFF	0 V
					<ul style="list-style-type: none"> <li>Lighting switch HI</li> <li>Lighting switch PASS</li> </ul>	Battery voltage
91 (P)	Ground	Parking lamp (RH)	Output	Ignition switch ON	Lighting switch OFF	0 V
					Lighting switch 1ST	Battery voltage
92 (BG)	Ground	Parking lamp (LH)	Output	Ignition switch ON	Lighting switch OFF	0 V
					Lighting switch 1ST	Battery voltage
97 (V)	Ground	Cooling fan control	Output	Engine idling		0 - 5 V
104 (LG)	Ground	Hood switch	Input	Close the hood		Battery voltage
				Open the hood		0 V
105*5 (L)	Ground	Daytime running light relay control	Output	<ul style="list-style-type: none"> <li>Parking lamp</li> <li>License plate lamp</li> <li>Tail lamp</li> </ul>	Turned OFF	Battery voltage
					Turned ON	0 V

\*1: Only for the models with ICC system

\*2: A/T models only

\*3: M/T models only

\*4: Models with steering lock unit

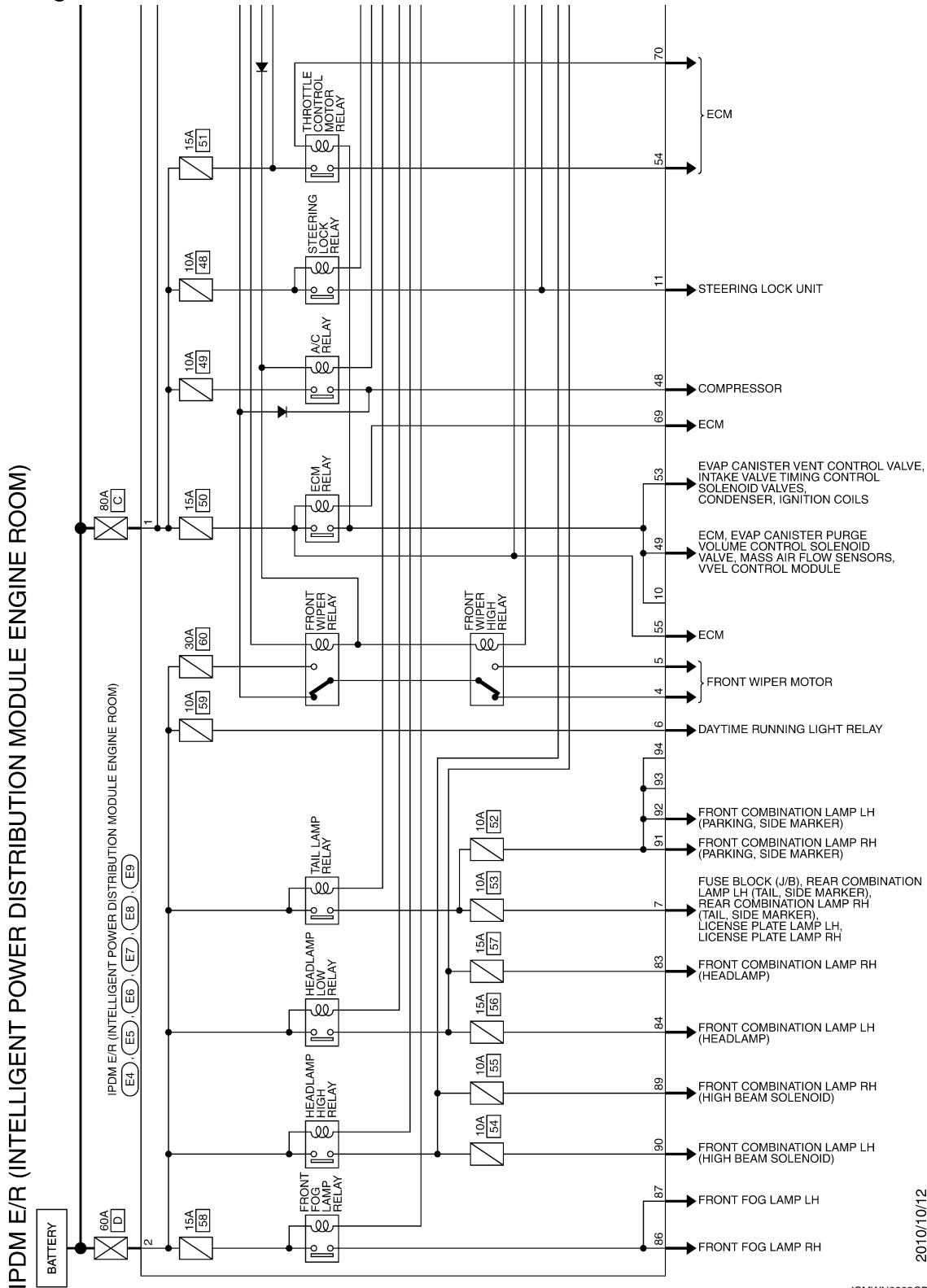
\*5: Models with daytime running light system

# IPDM E/R (INTELLIGENT POWER DISTRIBUTION MODULE ENGINE ROOM)

< ECU DIAGNOSIS INFORMATION >

## Wiring Diagram - IPDM E/R -

INFOID:00000006939153

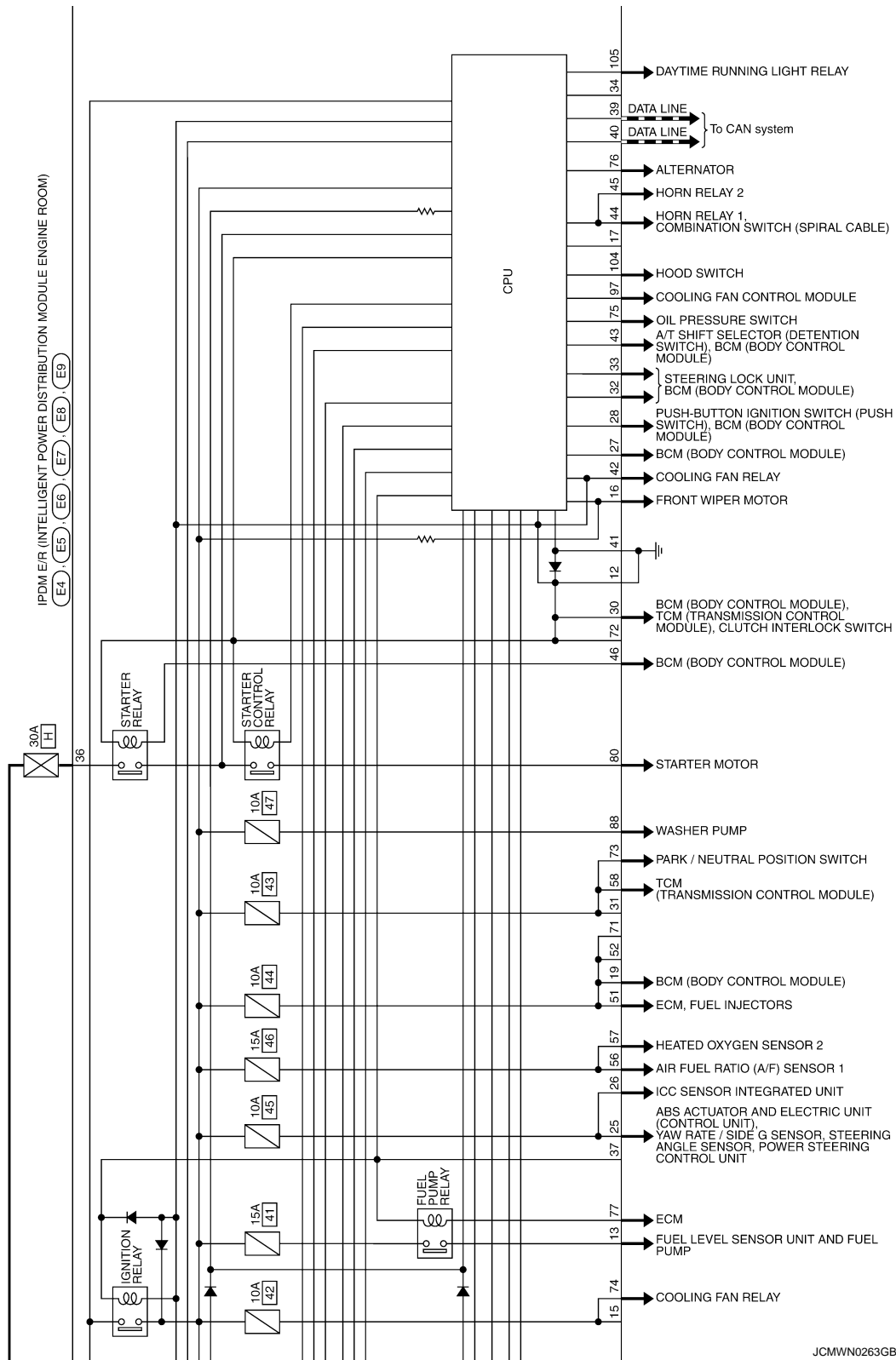


2010/10/12

JCMWN0262GB

# IPDM E/R (INTELLIGENT POWER DISTRIBUTION MODULE ENGINE ROOM)

< ECU DIAGNOSIS INFORMATION >



JCMWN0263GB

A  
B  
C  
D  
E  
F  
G  
H  
I  
J  
K  
L  
M  
N  
O  
P

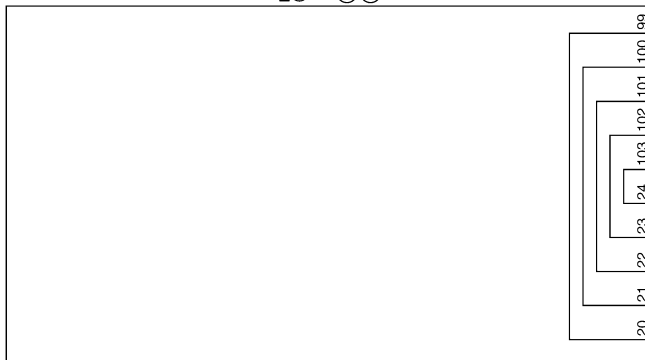
WW

# IPDM E/R (INTELLIGENT POWER DISTRIBUTION MODULE ENGINE ROOM)

< ECU DIAGNOSIS INFORMATION >

---

IPDM E/R  
(INTELLIGENT POWER  
DISTRIBUTION MODULE  
ENGINE ROOM)  
E4 . E5 . E6 .  
E7 . E8 . E9 .



JCMWN0264GB



# IPDM E/R (INTELLIGENT POWER DISTRIBUTION MODULE ENGINE ROOM)

< ECU DIAGNOSIS INFORMATION >

A  
B  
C  
D  
E  
F  
G  
H  
I  
J  
K  
L  
M  
N  
O  
P


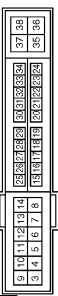
**IPDM E/R (INTELLIGENT POWER DISTRIBUTION MODULE ENGINE ROOM)**

Connector No.	E4
Connector Name	IPDM E/R INTELLIGENT POWER DISTRIBUTION MODULE ENGINE ROOM
Connector Type	LOGPE-MC

Terminal No.	Color of Wire	Signal Name [Specification]
1	W	-
2	L	-



Connector No.	E5
Connector Name	IPDM E/R INTELLIGENT POWER DISTRIBUTION MODULE ENGINE ROOM
Connector Type	TH20FW-CS12-M4-1V

Terminal No.	Color of Wire	Signal Name [Specification]
3	L	-
4	V	-
5	L	-
6	SB	-
7	BR	-
11	BR	-
12	B/W	-
13	Y	-
16	LG	-
19	W	-
25	G	-
26	R	-
27	BG	-
28	L	-
30	GR	-
32	V	-
33	P	-
36	G	-

**IPDM E/R (INTELLIGENT POWER DISTRIBUTION MODULE ENGINE ROOM)**



Connector No.	E6
Connector Name	IPDM E/R INTELLIGENT POWER DISTRIBUTION MODULE ENGINE ROOM
Connector Type	TH20FW-NH

Terminal No.	Color of Wire	Signal Name [Specification]
39	P	-
40	L	-
41	B/W	-
42	Y	-
43	SB	-
44	LG	-
45	G	-
46	W	-

**IPDM E/R (INTELLIGENT POWER DISTRIBUTION MODULE ENGINE ROOM)**


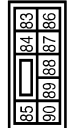
Connector No.	E7
Connector Name	IPDM E/R INTELLIGENT POWER DISTRIBUTION MODULE ENGINE ROOM
Connector Type	TH20FW-CS12-M4

Terminal No.	Color of Wire	Signal Name [Specification]
48	BR	-
49	BG	-
51	Y	-
53	W	-
54	P	-
55	SB	-
56	LG	-
57	G	-
58	GR	-
69	BR	-
70	BG	-
73	P	-
74	G	-
75	SB	-

**IPDM E/R (INTELLIGENT POWER DISTRIBUTION MODULE ENGINE ROOM)**



Connector No.	E8
Connector Name	IPDM E/R INTELLIGENT POWER DISTRIBUTION MODULE ENGINE ROOM
Connector Type	NS08FW-CS

Terminal No.	Color of Wire	Signal Name [Specification]
83	R	-
84	P	-
85	W	-
87	L	-
88	G	-
89	BR	-
90	LG	-

**IPDM E/R (INTELLIGENT POWER DISTRIBUTION MODULE ENGINE ROOM)**

Connector No.	E9
Connector Name	IPDM E/R INTELLIGENT POWER DISTRIBUTION MODULE ENGINE ROOM
Connector Type	TH18FW-NH

Terminal No.	Color of Wire	Signal Name [Specification]
98	BR	-
99	BG	-
100	Y	-
101	W	-
102	L	-
103	G	-
104	LG	-
105	L	-

## Fail-safe

### CAN COMMUNICATION CONTROL

When CAN communication with ECM and BCM is impossible, IPDM E/R performs fail-safe control. After CAN communication recovers normally, it also returns to normal control.

If No CAN Communication Is Available With ECM

JCMWN0265GB

INFOID:000000006939154

# IPDM E/R (INTELLIGENT POWER DISTRIBUTION MODULE ENGINE ROOM)

## < ECU DIAGNOSIS INFORMATION >

Control part	Fail-safe operation
Cooling fan	<ul style="list-style-type: none"> <li>Outputs the pulse duty signal (PWM signal) 100% when the ignition switch is turned ON</li> <li>Outputs the pulse duty signal (PWM signal) 0% when the ignition switch is turned OFF</li> </ul>
A/C compressor	A/C relay OFF
Alternator	Outputs the power generation command signal (PWM signal) 0%

### If No CAN Communication Is Available With BCM

Control part	Fail-safe operation
Headlamp	<ul style="list-style-type: none"> <li>Turns ON the headlamp low relay when the ignition switch is turned ON</li> <li>Turns OFF the headlamp low relay when the ignition switch is turned OFF</li> <li>Headlamp high relay OFF</li> </ul>
<ul style="list-style-type: none"> <li>Parking lamps</li> <li>Side maker lamp</li> <li>License plate lamps</li> <li>Illuminations</li> <li>Tail lamps</li> </ul>	<ul style="list-style-type: none"> <li>Turns ON the tail lamp relay when the ignition switch is turned ON</li> <li>Turns OFF the tail lamp relay when the ignition switch is turned OFF</li> </ul>
Front wiper	<ul style="list-style-type: none"> <li>The status just before activation of fail-safe control is maintained until the ignition switch is turned OFF while the front wiper is operating at LO or HI speed.</li> <li>The wiper is operated at LO speed until the ignition switch is turned OFF if the fail-safe control is activated while the front wiper is set in the INT mode and the front wiper motor is operating.</li> </ul>
Horn	Horn relay OFF
Ignition relay	The status just before activation of fail-safe is maintained.
Starter motor	Starter control relay OFF
Steering lock unit*	Steering lock relay OFF

\*: For models with steering lock unit

### IGNITION RELAY MALFUNCTION DETECTION FUNCTION

- IPDM E/R monitors the voltage at the contact circuit and excitation coil circuit of the ignition relay inside it.
- IPDM E/R judges the ignition relay error if the voltage differs between the contact circuit and the excitation coil circuit.
- If the ignition relay cannot turn OFF due to contact seizure, it activates the tail lamp relay for 10 minutes to alert the user to the ignition relay malfunction when the ignition switch is turned OFF.

Voltage judgment		IPDM E/R judgment	Operation
Ignition relay contact side	Ignition relay excitation coil side		
ON	ON	Ignition relay ON normal	—
OFF	OFF	Ignition relay OFF normal	—
ON	OFF	Ignition relay ON stuck	<ul style="list-style-type: none"> <li>Detects DTC "B2098: IGN RELAY ON"</li> <li>Turns ON the tail lamp relay for 10 minutes</li> </ul>
OFF	ON	Ignition relay OFF stuck	Detects DTC "B2099: IGN RELAY OFF"

### FRONT WIPER CONTROL

IPDM E/R detects front wiper stop position by a front wiper stop position signal.

When a front wiper stop position signal is in the conditions listed below, IPDM E/R stops power supply to wiper after repeating a front wiper 10 seconds activation and 20 seconds stop five times.

Ignition switch	Front wiper switch	Front wiper stop position signal
ON	OFF	The front wiper stop position signal (stop position) cannot be input for 10 seconds.
	ON	The front wiper stop position signal does not change for 10 seconds.

# IPDM E/R (INTELLIGENT POWER DISTRIBUTION MODULE ENGINE ROOM)

## < ECU DIAGNOSIS INFORMATION >

### NOTE:

This operation status can be confirmed on the IPDM E/R “Data Monitor” that displays “BLOCK” for the item “WIP PROT” while the wiper is stopped.

### STARTER MOTOR PROTECTION FUNCTION

IPDM E/R turns OFF the starter control relay to protect the starter motor when the starter control relay remains active for 90 seconds.

### DTC Index

INFOID:000000006939155

### NOTE:

- The details of time display are as follows.
  - CRNT: A malfunction is detected now.
  - PAST: A malfunction was detected in the past.
- IGN counter is displayed on FFD (Freeze Frame data).
  - The number is 0 when is detected now.
  - The number increases like 1 → 2 ... 38 → 39 after returning to the normal condition whenever IGN OFF → ON.
  - The number is fixed to 39 until the self-diagnosis results are erased if it is over 39.

×: Applicable

CONSULT display	Fail-safe	Refer to
No DTC is detected. further testing may be required.	—	—
U1000: CAN COMM CIRCUIT	×	<a href="#">PCS-15</a>
B2098: IGN RELAY ON	×	<a href="#">PCS-16</a>
B2099: IGN RELAY OFF	—	<a href="#">PCS-17</a>
B2108: S/L RELAY ON*	—	<a href="#">SEC-98</a>
B2109: S/L RELAY OFF*	—	<a href="#">SEC-100</a>
B210A: S/L STATE SW*	—	<a href="#">SEC-101</a>
B210B: START CONT RLY ON	—	<a href="#">SEC-105</a>
B210C: START CONT RLY OFF	—	<a href="#">SEC-106</a>
B210D: STARTER RELAY ON	—	<a href="#">SEC-107</a>
B210E: STARTER RELAY OFF	—	<a href="#">SEC-108</a>
B210F: INTRLCK/PNP SW ON	—	<a href="#">SEC-110</a>
B2110: INTRLCK/PNP SW OFF	—	<a href="#">SEC-112</a>

\*: For models without steering lock unit, this DTC is not applied.

# FRONT WIPER AND WASHER SYSTEM SYMPTOMS

< SYMPTOM DIAGNOSIS >

## SYMPTOM DIAGNOSIS

### FRONT WIPER AND WASHER SYSTEM SYMPTOMS WITHOUT RAIN SENSOR

#### WITHOUT RAIN SENSOR : Symptom Table

INFOID:000000006472327

**CAUTION:**

Perform the self-diagnosis with CONSULT-III before performing the diagnosis by symptom. Perform the diagnosis by DTC if DTC is detected.

Symptom		Probable malfunction location	Inspection item
Front wiper does not operate	HI only	<ul style="list-style-type: none"> <li>Combination switch</li> <li>Harness between combination switch and BCM</li> <li>BCM</li> </ul>	Combination switch Refer to <a href="#">BCS-78, "Symptom Table"</a> .
		<ul style="list-style-type: none"> <li>IPDM E/R</li> <li>Harness between IPDM E/R and front wiper motor</li> <li>Front wiper motor</li> </ul>	Front wiper motor (HI) circuit Refer to <a href="#">WW-27, "Component Function Check"</a> .
		Front wiper request signal <ul style="list-style-type: none"> <li>BCM</li> <li>IPDM E/R</li> </ul>	IPDM E/R Data monitor "FR WIP REQ"
	LO and INT	<ul style="list-style-type: none"> <li>Combination switch</li> <li>Harness between combination switch and BCM</li> <li>BCM</li> </ul>	Combination switch Refer to <a href="#">BCS-78, "Symptom Table"</a> .
		<ul style="list-style-type: none"> <li>IPDM E/R</li> <li>Harness between IPDM E/R and front wiper motor</li> <li>Front wiper motor</li> </ul>	Front wiper motor (LO) circuit Refer to <a href="#">WW-25, "Component Function Check"</a> .
		Front wiper request signal <ul style="list-style-type: none"> <li>BCM</li> <li>IPDM E/R</li> </ul>	IPDM E/R Data monitor "FR WIP REQ"
	INT only	<ul style="list-style-type: none"> <li>Combination switch</li> <li>Harness between combination switch and BCM</li> <li>BCM</li> </ul>	Combination switch Refer to <a href="#">BCS-78, "Symptom Table"</a> .
		Front wiper request signal <ul style="list-style-type: none"> <li>BCM</li> <li>IPDM E/R</li> </ul>	IPDM E/R Data monitor "FR WIP REQ"
	HI, LO, and INT	SYMPTOM DIAGNOSIS Refer to <a href="#">WW-92, "Diagnosis Procedure"</a> .	



# FRONT WIPER AND WASHER SYSTEM SYMPTOMS

## < SYMPTOM DIAGNOSIS >

Symptom	Probable malfunction location	Inspection item
Front wiper does not stop	HI only	<ul style="list-style-type: none"> <li>Combination switch</li> <li>BCM</li> </ul> Refer to <a href="#">BCS-78, "Symptom Table"</a> .
		Front wiper request signal <ul style="list-style-type: none"> <li>BCM</li> <li>IPDM E/R</li> </ul> IPDM E/R Data monitor "FR WIP REQ"
		IPDM E/R —
	LO only	<ul style="list-style-type: none"> <li>Combination switch</li> <li>BCM</li> </ul> Refer to <a href="#">BCS-78, "Symptom Table"</a> .
		Front wiper request signal <ul style="list-style-type: none"> <li>BCM</li> <li>IPDM E/R</li> </ul> IPDM E/R Data monitor "FR WIP REQ"
		IPDM E/R —
	INT only	<ul style="list-style-type: none"> <li>Combination switch</li> <li>BCM</li> </ul> Refer to <a href="#">BCS-78, "Symptom Table"</a> .
		Front wiper request signal <ul style="list-style-type: none"> <li>BCM</li> <li>IPDM E/R</li> </ul> IPDM E/R Data monitor "FR WIP REQ"
	Front wiper does not operate normally	Intermittent adjustment cannot be performed
BCM —		
Intermittent control linked with vehicle speed cannot be performed		Check the vehicle speed detection wiper setting. Refer to <a href="#">WW-15, "WIPER : CONSULT-III Function (BCM - WIPER)"</a> .
Wiper is not linked to the washer operation		<ul style="list-style-type: none"> <li>Combination switch</li> <li>Harness between combination switch and BCM</li> <li>BCM</li> </ul> Refer to <a href="#">BCS-78, "Symptom Table"</a> .
	BCM —	
Does not return to stop position [Repeatedly operates for 10 seconds and then stops for 20 seconds. After that, it stops the operation (Fail-safe)]	<ul style="list-style-type: none"> <li>IPDM E/R</li> <li>Harness between IPDM E/R and front wiper motor</li> <li>Front wiper motor</li> </ul> Front wiper auto stop signal circuit Refer to <a href="#">WW-29, "Component Function Check"</a> .	

## WITH RAIN SENSOR

## WITH RAIN SENSOR : Symptom Table

INFOID:000000006472328

### CAUTION:

Perform the self-diagnosis with CONSULT-III before performing the diagnosis by symptom. Perform the diagnosis by DTC if DTC is detected.

# FRONT WIPER AND WASHER SYSTEM SYMPTOMS

## < SYMPTOM DIAGNOSIS >

Symptom		Probable malfunction location	Inspection item
Front wiper does not operate.	HI only	<ul style="list-style-type: none"> <li>Combination switch</li> <li>Harness between combination switch and BCM</li> <li>BCM</li> </ul>	Combination switch Refer to <a href="#">BCS-78, "Symptom Table"</a> .
		<ul style="list-style-type: none"> <li>IPDM E/R</li> <li>Harness between IPDM E/R and front wiper motor</li> <li>Front wiper motor</li> </ul>	Front wiper motor (HI) circuit Refer to <a href="#">WW-27, "Component Function Check"</a> .
		Front wiper request signal <ul style="list-style-type: none"> <li>BCM</li> <li>IPDM E/R</li> </ul>	IPDM E/R DATA MONITOR "FR WIP REQ"
	LO only	<ul style="list-style-type: none"> <li>Combination switch</li> <li>Harness between combination switch and BCM</li> <li>BCM</li> </ul>	Combination switch Refer to <a href="#">BCS-78, "Symptom Table"</a> .
		<ul style="list-style-type: none"> <li>IPDM E/R</li> <li>Harness between IPDM E/R and front wiper motor</li> <li>Front wiper motor</li> </ul>	Front wiper motor (LO) circuit Refer to <a href="#">WW-25, "Component Function Check"</a> .
		Front wiper request signal <ul style="list-style-type: none"> <li>BCM</li> <li>IPDM E/R</li> </ul>	IPDM E/R DATA MONITOR "FR WIP REQ"
	AUTO only	<ul style="list-style-type: none"> <li>Combination switch</li> <li>Harness between combination switch and BCM</li> <li>BCM</li> </ul>	Combination switch Refer to <a href="#">BCS-78, "Symptom Table"</a> .
		<ul style="list-style-type: none"> <li>Rain sensor</li> <li>Harness between rain sensor and BCM</li> <li>BCM</li> </ul>	Rain sensor Refer to <a href="#">WW-32, "Component Function Check"</a> .
	HI, LO and AUTO	SYMPTOM DIAGNOSIS "FRONT WIPER DOES NOT OPERATE" Refer to <a href="#">WW-92, "Diagnosis Procedure"</a> .	
	Front wiper does not stop.	HI only	<ul style="list-style-type: none"> <li>Combination switch</li> <li>BCM</li> </ul>
Front wiper request signal <ul style="list-style-type: none"> <li>BCM</li> <li>IPDM E/R</li> </ul>			IPDM E/R DATA MONITOR "FR WIP REQ"
IPDM E/R			—
LO only		<ul style="list-style-type: none"> <li>Combination switch</li> <li>BCM</li> </ul>	Combination switch Refer to <a href="#">BCS-78, "Symptom Table"</a> .
		Front wiper request signal <ul style="list-style-type: none"> <li>BCM</li> <li>IPDM E/R</li> </ul>	IPDM E/R DATA MONITOR "FR WIP REQ"
		IPDM E/R	—
AUTO only		<ul style="list-style-type: none"> <li>Combination switch</li> <li>BCM</li> </ul>	Combination switch Refer to <a href="#">BCS-78, "Symptom Table"</a> .
		<ul style="list-style-type: none"> <li>Rain sensor</li> <li>Harness between rain sensor and BCM</li> <li>BCM</li> </ul>	Rain sensor Refer to <a href="#">WW-32, "Component Function Check"</a> .

# FRONT WIPER AND WASHER SYSTEM SYMPTOMS

## < SYMPTOM DIAGNOSIS >

Symptom	Probable malfunction location	Inspection item
Front wiper does not operate normally.	Sensitivity adjustment cannot be performed.	<ul style="list-style-type: none"> <li>• Combination switch</li> <li>• Harness between combination switch and BCM</li> <li>• BCM</li> </ul> Combination switch Refer to <a href="#">BCS-78. "Symptom Table"</a> .
		BCM —
	Wiper is not linked to the washer operation.	<ul style="list-style-type: none"> <li>• Combination switch</li> <li>• Harness between combination switch and BCM</li> <li>• BCM</li> </ul> Combination switch Refer to <a href="#">BCS-78. "Symptom Table"</a> .
		BCM —
	Does not return to stop position [Repeatedly operates for 10 seconds and then stops for 20 seconds. After that, it stops the operation. (Fail-safe)]	<ul style="list-style-type: none"> <li>• IPDM E/R</li> <li>• Harness between IPDM E/R and front wiper motor</li> <li>• Front wiper motor</li> </ul> Front wiper auto stop signal circuit Refer to <a href="#">WW-29. "Component Function Check"</a> .

A  
B  
C  
D  
E  
F  
G  
H  
I  
J  
K  
M  
N  
O  
P

WW

# FRONT WIPER DOES NOT OPERATE

< SYMPTOM DIAGNOSIS >

## FRONT WIPER DOES NOT OPERATE

### Description

INFOID:000000006472329

The front wiper does not operate under any operating conditions.

### Diagnosis Procedure

INFOID:000000006472330

#### 1. CHECK WIPER RELAY OPERATION

##### IPDM E/R AUTO ACTIVE TEST

1. Start IPDM E/R auto active test. Refer to [PCS-10. "Diagnosis Description"](#).
2. Check that the front wiper operates at the LO/Hi operation.

##### CONSULT-III ACTIVE TEST

1. Select "FRONT WIPER" of IPDM E/R active test item.
2. With operating the test item, check that front wiper LO/Hi operation and OFF.

**Lo** : Front wiper LO operation

**Hi** : Front wiper Hi operation

**Off** : Stop the front wiper.

Does the front wiper operate?

YES >> GO TO 5.

NO >> GO TO 2.

#### 2. CHECK FRONT WIPER MOTOR FUSE

1. Turn the ignition switch OFF.
2. Check that the front wiper motor 30 A (#60) fuse is not fusing.

Is the fuse fusing?

YES >> Replace the fuse after repairing the applicable circuit.

NO >> GO TO 3.

#### 3. CHECK FRONT WIPER MOTOR (GND) OPEN CIRCUIT

Refer to [WW-31. "Diagnosis Procedure"](#).

Does continuity exist?

YES >> GO TO 4.

NO >> Repair the harnesses or connectors.

#### 4. CHECK FRONT WIPER MOTOR OUTPUT VOLTAGE

##### CONSULT-III ACTIVE TEST

1. Disconnect front wiper motor connector.
2. Turn the ignition switch ON.
3. Select "FRONT WIPER" of IPDM E/R active test item.
4. With operating the test item, check voltage between IPDM E/R harness connector and ground.

Terminals		Test item	Voltage (Approx.)		
(+)	(-)				
IPDM E/R		FRONT WIPER			
Connector	Terminal				
E5	4			Lo	Battery voltage
	5			Off	0 V
Ground		Hi	Battery voltage		
		Off	0 V		

Is the measurement normal?

YES >> Replace front wiper motor.

NO >> Replace IPDM E/R.

# FRONT WIPER DOES NOT OPERATE

< SYMPTOM DIAGNOSIS >

## 5. CHECK FRONT WIPER REQUEST SIGNAL INPUT

### CONSULT-III DATA MONITOR

1. Select "FR WIP REQ" of IPDM E/R data monitor item.
2. Switch the front wiper switch to HI and LO.
3. With operating the front wiper switch, check the monitor status.

Monitor item	Condition	Monitor status	
FR WIPER REQ	Front wiper switch HI	ON	Hi
		OFF	Stop
	Front wiper switch LO	ON	Low
		OFF	Stop

Is the status of item normal?

- YES >> Replace IPDM E/R.  
NO >> GO TO 6.

## 6. CHECK COMBINATION SWITCH

Perform the inspection of the combination switch. Refer to [BCS-78, "Symptom Table"](#).

Is combination switch normal?

- YES >> Replace BCM. Refer to [BCS-81, "Exploded View"](#).  
NO >> Repair or replace the applicable parts.

A  
B  
C  
D  
E  
F  
G  
H  
I  
J  
K  
M  
N  
O  
P

WW

## NORMAL OPERATING CONDITION

< SYMPTOM DIAGNOSIS >

---

### NORMAL OPERATING CONDITION

#### Description

INFOID:000000006472331

#### FRONT WIPER MOTOR PROTECTION FUNCTION

- IPDM E/R may stop the front wiper to protect the front wiper motor if any obstruction (operation resistance) such as a large amount of snow is detected during the front wiper operation.
- At that time turn OFF the front wiper and remove the foreign object. Then wait for approximately 20 seconds or more and reactivate the front wiper. The wiper will operate normally.

# PRECAUTIONS

< PRECAUTION >

## PRECAUTION

### PRECAUTIONS

#### Precaution for Supplemental Restraint System (SRS) "AIR BAG" and "SEAT BELT PRE-TENSIONER"

INFOID:000000006472332

The Supplemental Restraint System such as "AIR BAG" and "SEAT BELT PRE-TENSIONER", used along with a front seat belt, helps to reduce the risk or severity of injury to the driver and front passenger for certain types of collision. This system includes seat belt switch inputs and dual stage front air bag modules. The SRS system uses the seat belt switches to determine the front air bag deployment, and may only deploy one front air bag, depending on the severity of a collision and whether the front occupants are belted or unbelted. Information necessary to service the system safely is included in the "SRS AIR BAG" and "SEAT BELT" of this Service Manual.

#### **WARNING:**

Always observe the following items for preventing accidental activation.

- To avoid rendering the SRS inoperative, which could increase the risk of personal injury or death in the event of a collision that would result in air bag inflation, all maintenance must be performed by an authorized NISSAN/INFINITI dealer.
- Improper maintenance, including incorrect removal and installation of the SRS, can lead to personal injury caused by unintentional activation of the system. For removal of Spiral Cable and Air Bag Module, see "SRS AIR BAG".
- Never use electrical test equipment on any circuit related to the SRS unless instructed to in this Service Manual. SRS wiring harnesses can be identified by yellow and/or orange harnesses or harness connectors.

#### PRECAUTIONS WHEN USING POWER TOOLS (AIR OR ELECTRIC) AND HAMMERS

#### **WARNING:**

Always observe the following items for preventing accidental activation.

- When working near the Air Bag Diagnosis Sensor Unit or other Air Bag System sensors with the ignition ON or engine running, never use air or electric power tools or strike near the sensor(s) with a hammer. Heavy vibration could activate the sensor(s) and deploy the air bag(s), possibly causing serious injury.
- When using air or electric power tools or hammers, always switch the ignition OFF, disconnect the battery, and wait at least 3 minutes before performing any service.

#### Precaution for Battery Service

INFOID:000000006472333

Before disconnecting the battery, lower both the driver and passenger windows. This will prevent any interference between the window edge and the vehicle when the door is opened/closed. During normal operation, the window slightly raises and lowers automatically to prevent any window to vehicle interference. The automatic window function will not work with the battery disconnected.

A  
B  
C  
D  
E  
F  
G  
H  
I  
J  
K  
M  
N  
O  
P

WW

# WASHER TANK

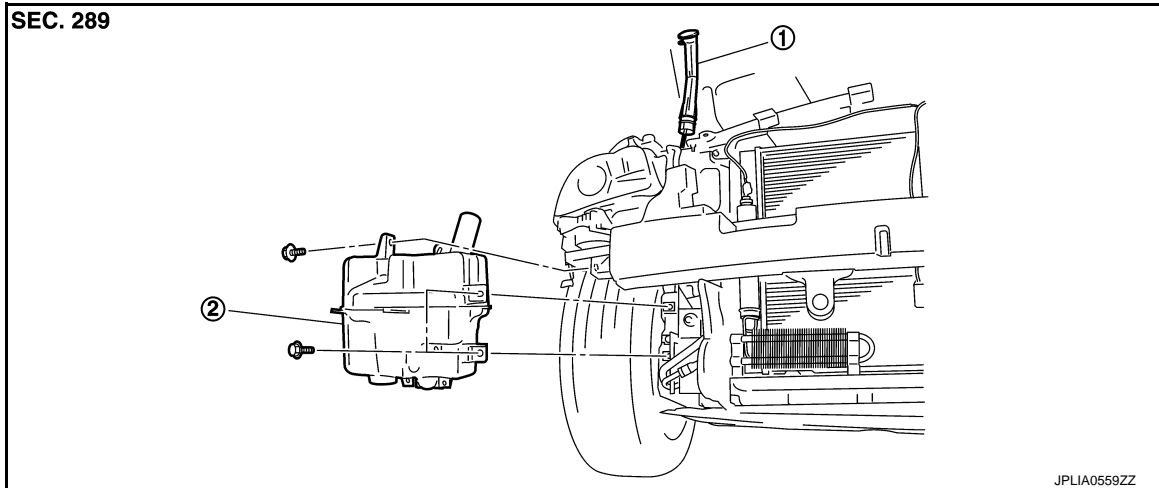
< REMOVAL AND INSTALLATION >

## REMOVAL AND INSTALLATION

### WASHER TANK

Exploded View

INFOID:000000006472334



1. Washer tank inlet

2. Washer tank

### Removal and Installation

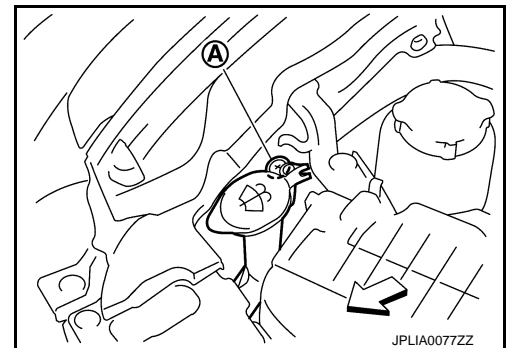
INFOID:000000006472335

#### REMOVAL

1. Remove the clip (A).

⇐ : Vehicle front

2. Pull out the washer tank inlet from the washer tank.
3. Remove the front bumper fascia. Refer to [EXT-15, "Removal and Installation"](#).
4. Disconnect the washer pump connector.
5. Disconnect the washer level switch connector.
6. Disconnect the washer tube.
7. Remove the washer tank mounting bolts.
8. Remove the washer tank from the vehicle.



#### INSTALLATION

Install in the reverse order of removal.

#### **CAUTION:**

Add water up to the top of the washer tank inlet after installing. Check that there is no leakage.



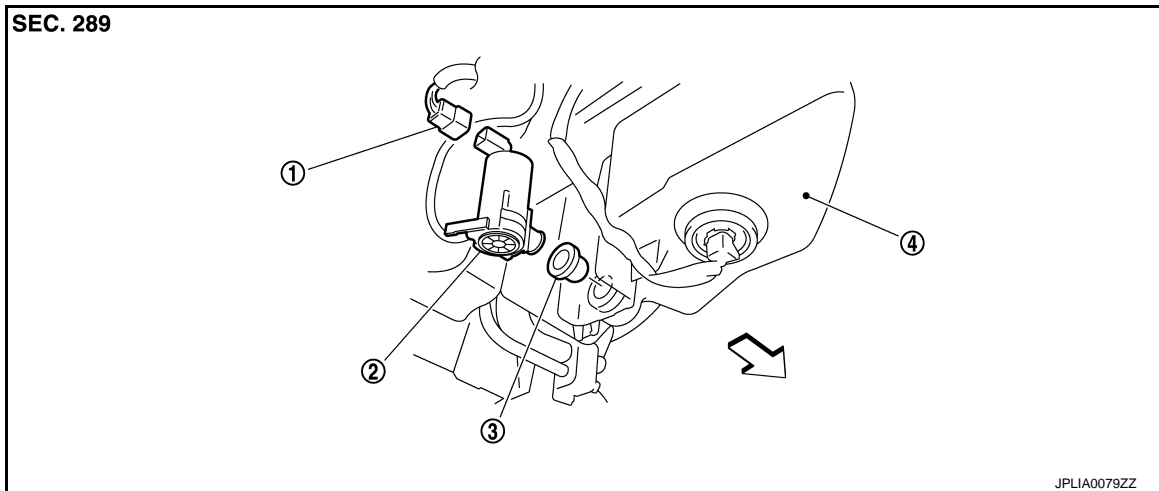
# FRONT WASHER PUMP

< REMOVAL AND INSTALLATION >

## FRONT WASHER PUMP

Exploded View

INFOID:000000006472336



1. Washer pump connector
2. Washer pump
3. Packing
4. Washer tank

↩ : Vehicle front

## Removal and Installation

INFOID:000000006472337

### REMOVAL

1. Remove the fender protector RH (front). Refer to [EXT-26, "FENDER PROTECTOR : Exploded View"](#).
2. Disconnect the washer pump connector.
3. Disconnect the washer tube.
4. Remove the washer pump from the washer tank.
5. Remove the packing from the washer tank.

### INSTALLATION

Install in the reverse order of removal.

#### **CAUTION:**

**Never twist the packing when installing the washer pump.**

A  
B  
C  
D  
E  
F  
G  
H  
I  
J  
K  
M  
N  
O  
P

WW

## WASHER LEVEL SWITCH

< REMOVAL AND INSTALLATION >

---

### WASHER LEVEL SWITCH

#### Removal and Installation

INFOID:000000006472338

The washer level switch must be replaced together with the washer tank as an assembly. Refer to [WW-96](#), "[Removal and Installation](#)".

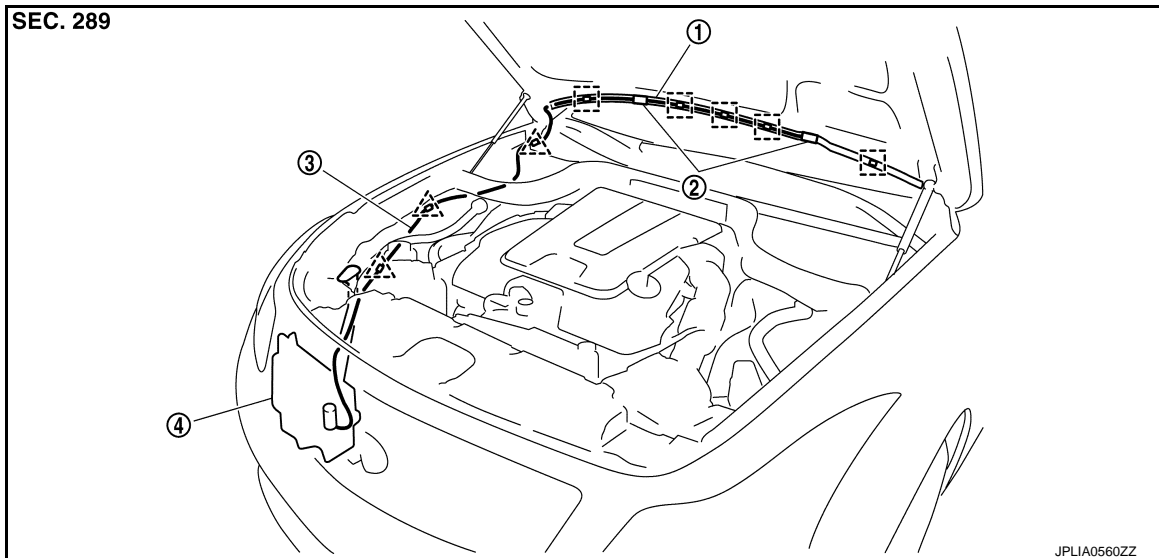
# FRONT WASHER NOZZLE AND TUBE

< REMOVAL AND INSTALLATION >


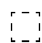
## FRONT WASHER NOZZLE AND TUBE

### Hydraulic Layout

INFOID:000000006472339



- 1. Washer tube
- 2. Washer nozzle
- 3. Washer tube
- 4. Washer tank

-  : Clip
-  : Clip

### Removal and Installation

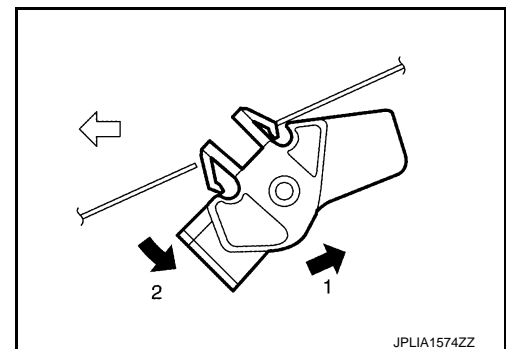
INFOID:000000006472340

#### REMOVAL

1. Open the hood.
2. Remove the front washer nozzle in numerical order shown in the figure.

 : Vehicle front

3. Disconnect the front washer tube from the front washer nozzle.



#### INSTALLATION

1. Connect the front washer tube into the front washer nozzle.
2. Install the front washer nozzle to the hood.
3. Adjust the front washer nozzle spray position. Refer to [WW-99, "Inspection and Adjustment"](#).

#### **CAUTION:**

**The spray positions differ. Check that left and right nozzles are installed correctly.**

### Inspection and Adjustment

INFOID:000000006472341

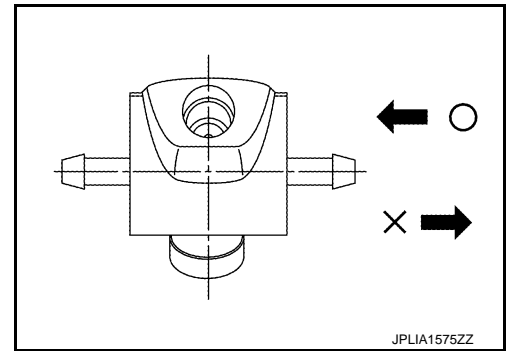
#### INSPECTION

##### Washer Nozzle Inspection

# FRONT WASHER NOZZLE AND TUBE

## < REMOVAL AND INSTALLATION >

Check that air can pass through the hose by blowing forward (toward the nozzle), and check that air cannot pass through by sucking.



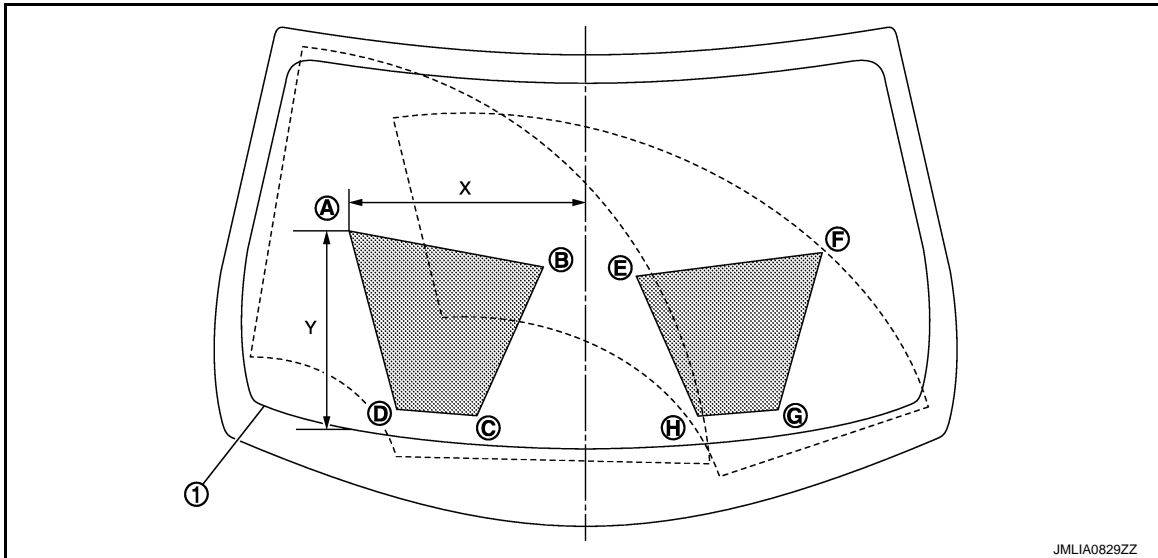
## ADJUSTMENT

### Washer Nozzle Spray Position Adjustment

Adjust spray positions to match the positions shown in the figure below.

**NOTE:**

This figure is for LHD models and is symmetric with RHD models.



1. Black printed frame line

: Spray area

Unit: mm (in)

	Passenger side				Driver side			
	A	B	C	D	E	F	G	H
X	456 (17.95)	83 (3.27)	212 (8.35)	366 (14.41)	94 (3.70)	447 (17.60)	364 (14.33)	212 (8.35)
Y	378 (14.88)	347 (13.66)	57 (2.24)	57 (2.24)	327 (12.87)	340 (13.39)	52 (2.05)	58 (2.28)

Check that washer fluid is splayed on 80% or more the splay area () when spraying washer fluid. If the spray area deviates from the specification, adjust the washer nozzle.

**CAUTION:**

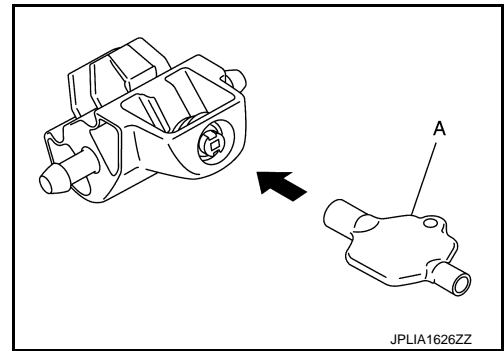
## FRONT WASHER NOZZLE AND TUBE

### < REMOVAL AND INSTALLATION >

- Use washer nozzle adjuster\* (A) for nozzle adjustment.
- Never use needle or small pin.
- \*: Washer nozzle adjuster is included with shipment of nozzle.

#### NOTE:

If wax or dust gets into the nozzle, remove wax or dust with a needle or small pin.



A

B

C

D

E

F

G

H

I

J

K

WW

M

N

O

P

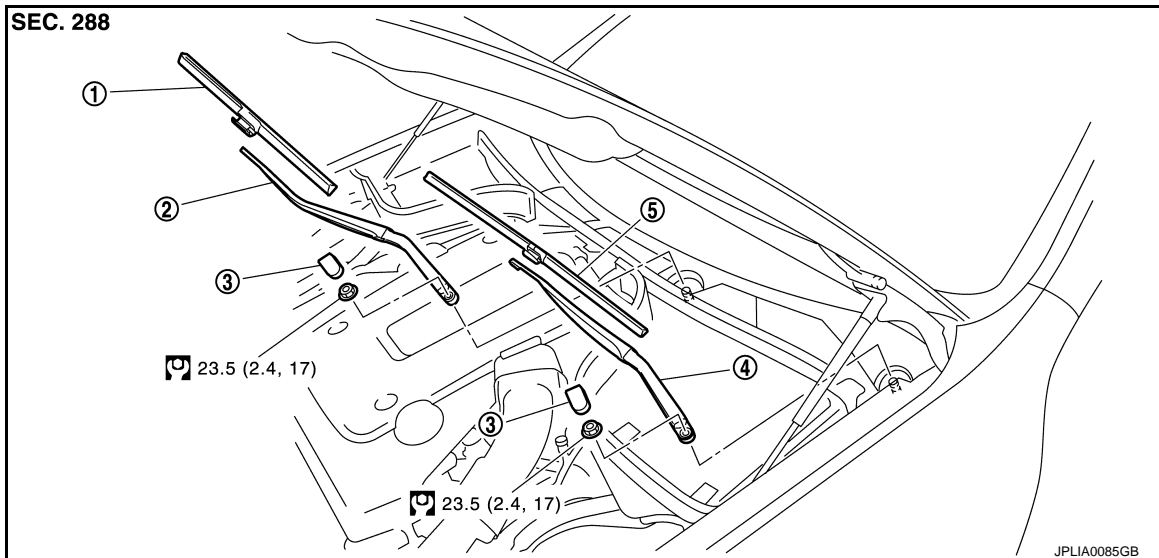
# FRONT WIPER ARM

< REMOVAL AND INSTALLATION >

## FRONT WIPER ARM

Exploded View

INFOID:000000006472342



- |                     |                     |                  |
|---------------------|---------------------|------------------|
| 1. Wiper blade (RH) | 2. Wiper arm (RH)   | 3. Wiper arm cap |
| 4. Wiper arm (LH)   | 5. Wiper blade (LH) |                  |

Refer to [GI-4. "Components"](#) for symbols in the figure.

## Removal and Installation

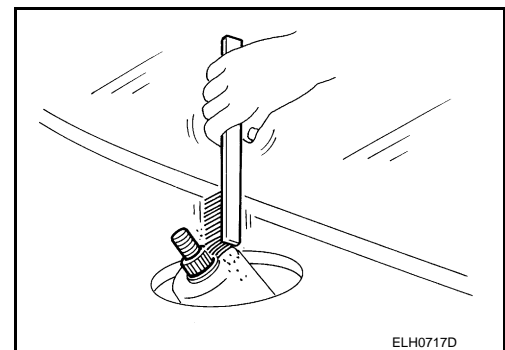
INFOID:000000006472343

### REMOVAL

1. Operate the front wiper to move it to the auto stop position.
2. Open the hood.
3. Remove the wiper arm cap.
4. Remove the wiper arm mounting nut.
5. Raise wiper arm, and remove wiper arm from the vehicle.

### INSTALLATION

1. Clean wiper arm mount as shown in the figure to prevent nuts from being loosened.
2. Operate the front wiper motor to move the wiper to the auto stop position.
3. Adjust the wiper blade position. Refer to [WW-102. "Adjustment"](#).
4. Install the wiper arm by tightening the mounting nut.
5. Inject the washer fluid.
6. Operate the front wiper to move it to the auto stop position.
7. Check that the wiper blades stop at the specified position.
8. Install the wiper arm cap.



## Adjustment

INFOID:000000006472344

### WIPER BLADE POSITION ADJUSTMENT

Clearance between the end of cowl top cover and the top of wiper blade center

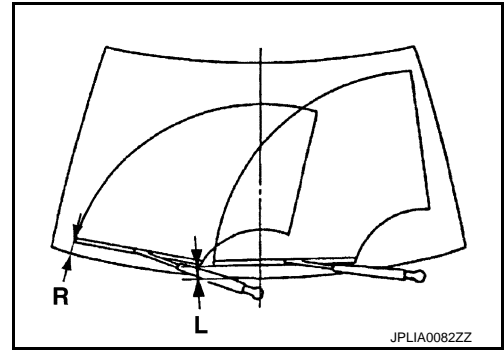
# FRONT WIPER ARM

## < REMOVAL AND INSTALLATION >

Standard clearance

**R** :  $37 \pm 7.5 \text{ mm}$  ( $1.457 \pm 0.295 \text{ in}$ )

**L** :  $60 \pm 7.5 \text{ mm}$  ( $2.362 \pm 0.295 \text{ in}$ )



A

B

C

D

E

F

G

H

I

J

K

WW

M

N

O

P

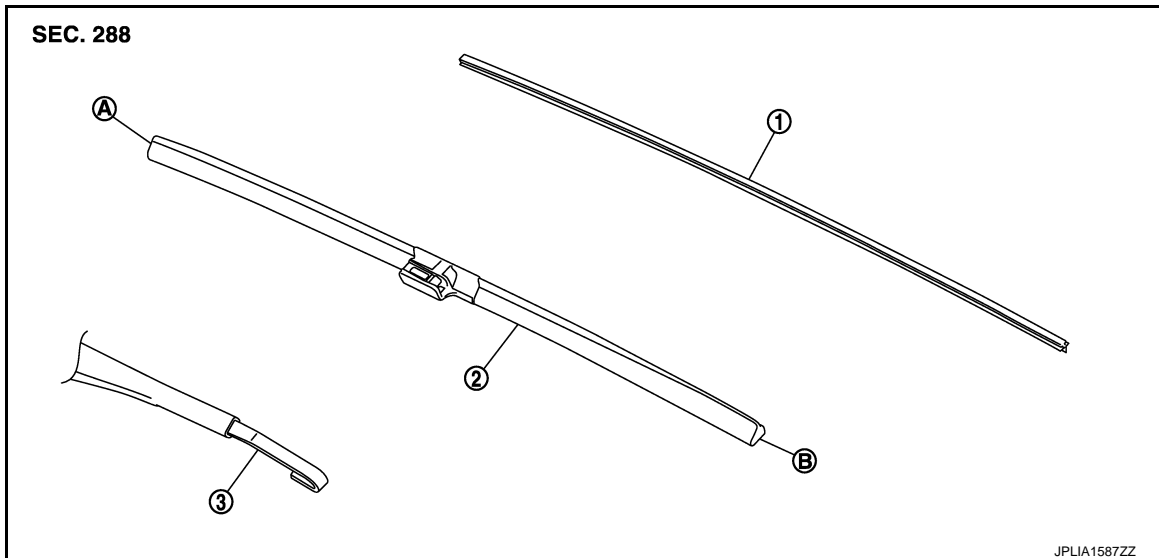
# WIPER BLADE

< REMOVAL AND INSTALLATION >

## WIPER BLADE

### Exploded View

INFOID:000000006472345



- |                    |                    |              |
|--------------------|--------------------|--------------|
| 1. Wiper refill    | 2. Wiper blade     | 3. Wiper arm |
| A. Wiper blade end | B. Wiper blade tip |              |

### Removal and Installation

INFOID:000000006472346

#### REMOVAL

Remove the wiper blade from the wiper arm.

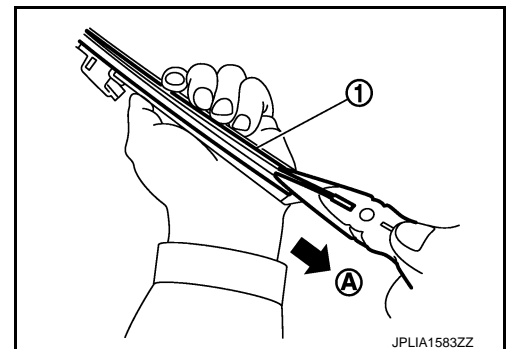
#### INSTALLATION

Install the front wiper blade to the wiper arm.

### Replacement

INFOID:000000006472347

1. Hold the rip of old wiper refill (1) at the rear end of the wiper blade with long-nose pliers, and pull out the wiper refill to the direction (A).

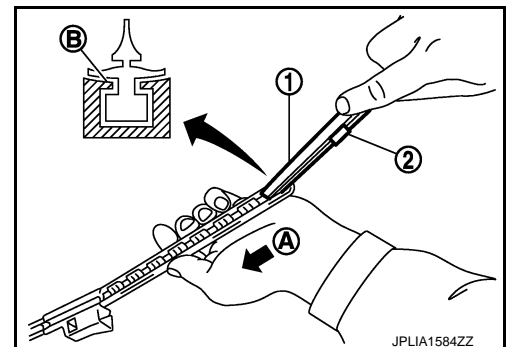


2. Insert the tip of new wiper refill (1) into the rear end of wiper blade. Slide the wiper refill to the direction (A) while pressing the wiper refill onto the wiper blade rear end.

#### NOTE:

- Insert the wiper refill to be held securely by tab (B) of wiper blade.
- After the wiper refill is fully inserted, remove the holder\* (2).

\*: Attached to service parts.





## WIPER BLADE

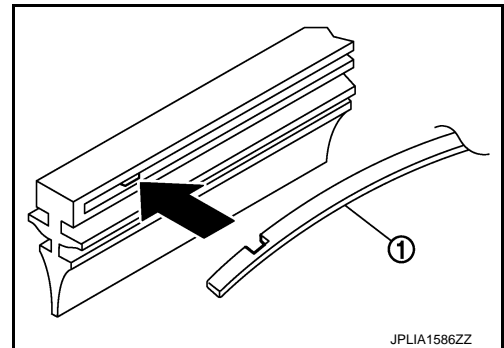
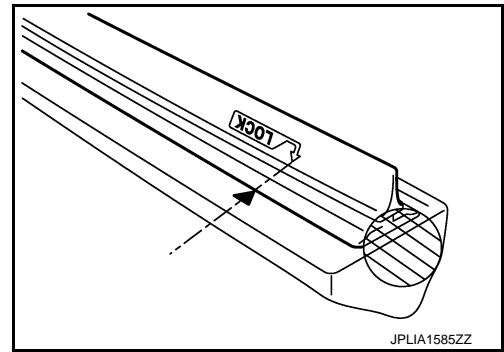
### < REMOVAL AND INSTALLATION >

3. Inert the wiper refill until the stopper at the rear end of wiper refill fits in the tab. Check that "LOCK" mark on wiper refill is aligned with "▼" mark on wiper blade.
4. Untwist the twisted wiper refill (▨) at the rear end of wiper blade, if any.
5. Check the following items after replacing wiper refill.
  - Wiper refill is not twisted at all.
  - Wiper refill thoroughly fits in the tab on wiper blade.
  - Wiper refill is inserted from the proper direction.

#### NOTE:

When the vertebra is detached.

- Insert the vertebra (1) into the wiper blade to the same bending direction.
- If a vertebra has a notch, fit it to a protrusion inside the wiper refill.



A  
B  
C  
D  
E  
F  
G  
H  
I  
J  
K  
L  
M  
N  
O  
P

WW

# FRONT WIPER DRIVE ASSEMBLY

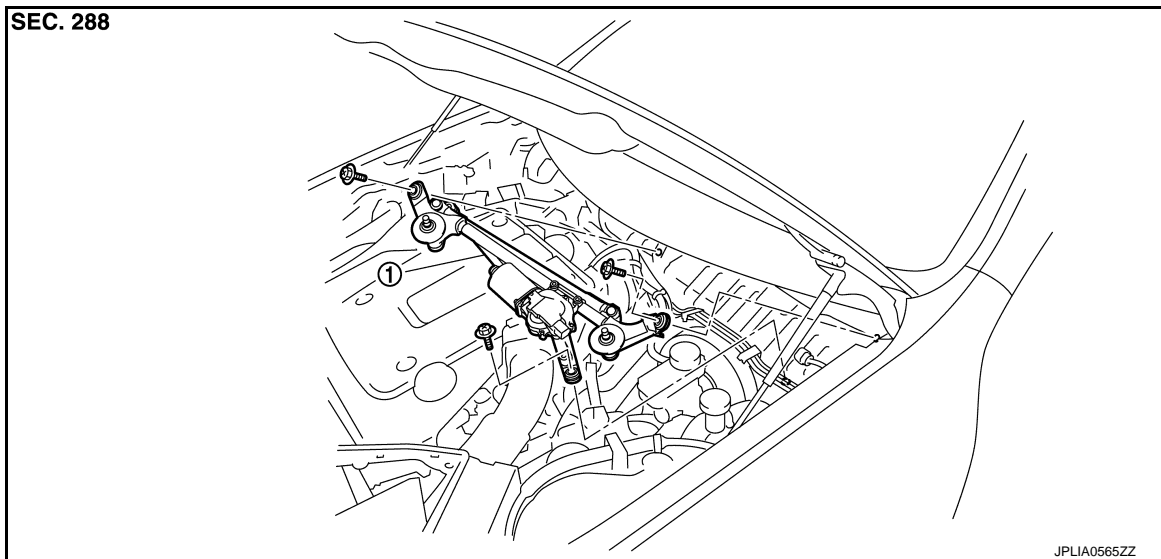
< REMOVAL AND INSTALLATION >

## FRONT WIPER DRIVE ASSEMBLY

Exploded View

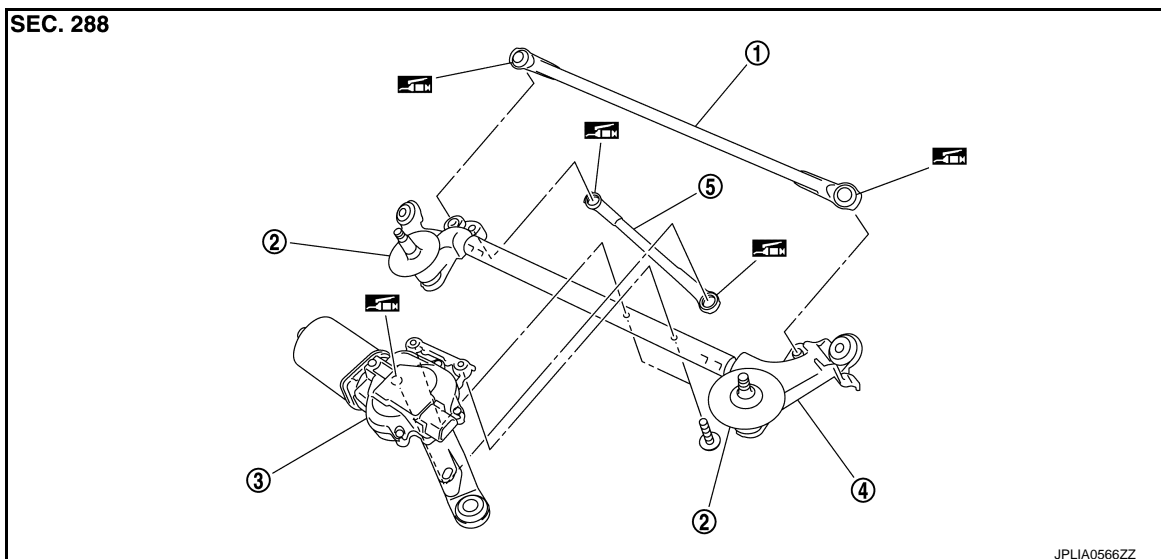
INFOID:000000006472348

REMOVAL VIEW




1. Front wiper drive assembly

DISASSEMBLY VIEW



- |                    |                    |                      |
|--------------------|--------------------|----------------------|
| 1. Wiper linkage 1 | 2. Shaft seal      | 3. Front wiper motor |
| 4. Wiper frame     | 5. Wiper linkage 2 |                      |

: Multi-purpose grease or an equivalent.

## Removal and Installation

INFOID:000000006472349

### REMOVAL

1. Remove the wiper arm. Refer to [WW-102, "Exploded View"](#).
2. Remove the cowl top cover. Refer to [EXT-23, "Exploded View"](#).
3. Remove the bolts from the front wiper drive assembly.

# FRONT WIPER DRIVE ASSEMBLY

## < REMOVAL AND INSTALLATION >

---

4. Disconnect the front wiper motor connector.
5. Remove the front wiper drive assembly from the vehicle.

A

## INSTALLATION

1. Install the front wiper drive assembly to the vehicle.
2. Connect the front wiper motor connector.
3. Operate the front wiper to move it to the auto stop position.
4. Install the cowl top cover. Refer to [EXT-23, "Exploded View"](#).
5. Install the wiper arms. Refer to [WW-102, "Exploded View"](#).

B

C

## Disassembly and Assembly

INFOID:000000006472350

D

## DISASSEMBLY

1. Remove the wiper linkage 1 and 2 from the front wiper drive assembly.  
**CAUTION:**  
**Never bend the linkage or damage the plastic part of the ball joint when removing the wiper linkage.**
2. Remove the front wiper motor mounting screws, and then remove the front wiper motor from the wiper frame.

E

F

## ASSEMBLY

1. Connect the front wiper motor connector.
2. Operate the front wiper to move it to the auto stop position.
3. Disconnect the front wiper motor connector.
4. Install front wiper motor to wiper frame.
5. Install the wiper linkage 2 to the wiper motor and the wiper frame.
6. Install the wiper linkage 1 to the wiper frame.  
**CAUTION:**
  - **Never drop front wiper motor or cause it to come into contact with other parts.**
  - **Be careful for the grease condition at the wiper motor and wiper linkage joint (retainer). Apply Multi-purpose grease or an equivalent if necessary.**

G

H

I

J

K

WW

M

N

O

P

# RAIN SENSOR

< REMOVAL AND INSTALLATION >

## RAIN SENSOR

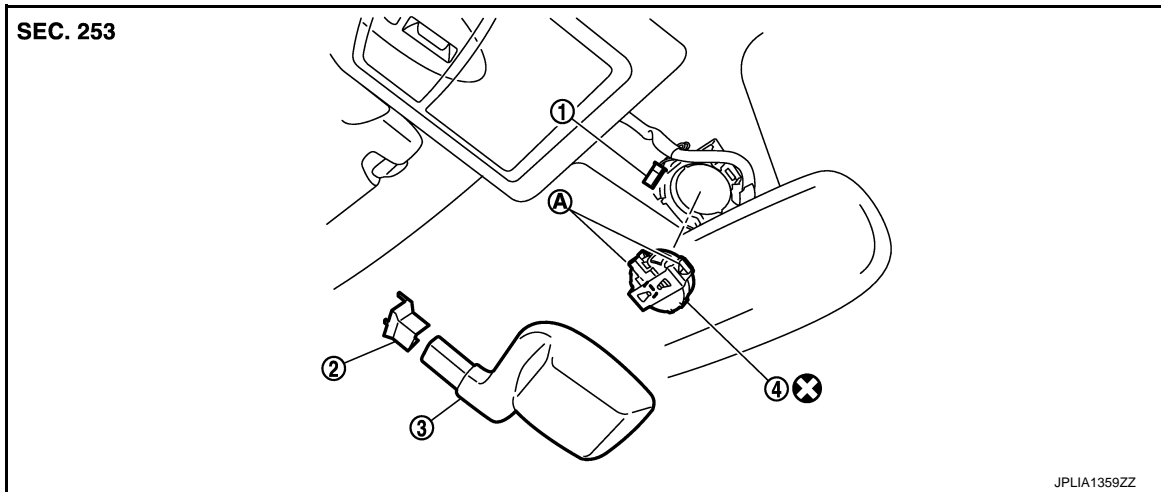
### Exploded View

INFOID:000000006472351

#### **CAUTION:**

**When the rain sensor is removed from windshield, the rain sensor cannot be re-used.**

#### REMOVAL



1. Rain sensor connector
2. Inside mirror cover (upper)
3. Inside mirror cover (lower)
4. Rain sensor
- A. Metal spring clip

Refer to [GI-4, "Components"](#) for symbols in the figure.

### Removal and Installation

INFOID:000000006472352

#### REMOVAL

1. Remove the inside mirror cover (upper and lower).
2. Disengage the both sides of metal spring clips, and remove the rain sensor from the windshield.
3. Disconnect the rain sensor connector.

#### INSTALLATION

Install in the reverse order of removal.

#### **CAUTION:**

- **Surface of windshield should be cleaned.**
- **Never touch gel/adhesive of new part.**
- **Lock the metal spring clips and install the rain sensor securely.**

# FRONT WIPER AND WASHER SWITCH

< REMOVAL AND INSTALLATION >

---

## FRONT WIPER AND WASHER SWITCH

Exploded View

INFOID:000000006472353

Refer to [BCS-82. "Exploded View"](#).

A

B

C

D

E

F

G

H

I

J

K

**WW**

M

N

O

P